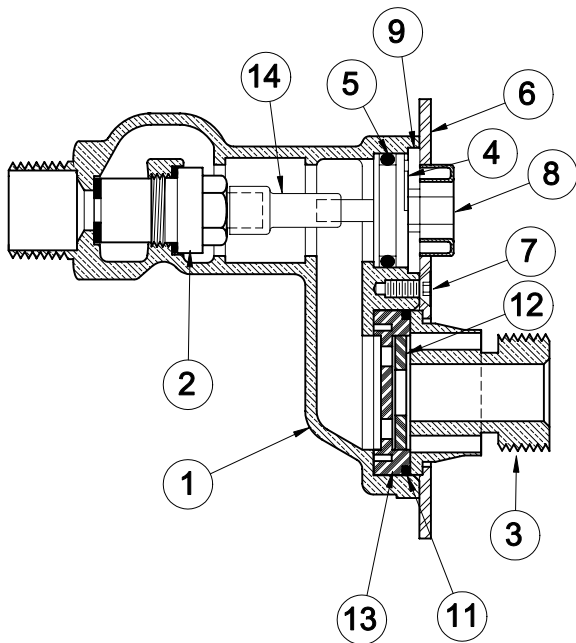
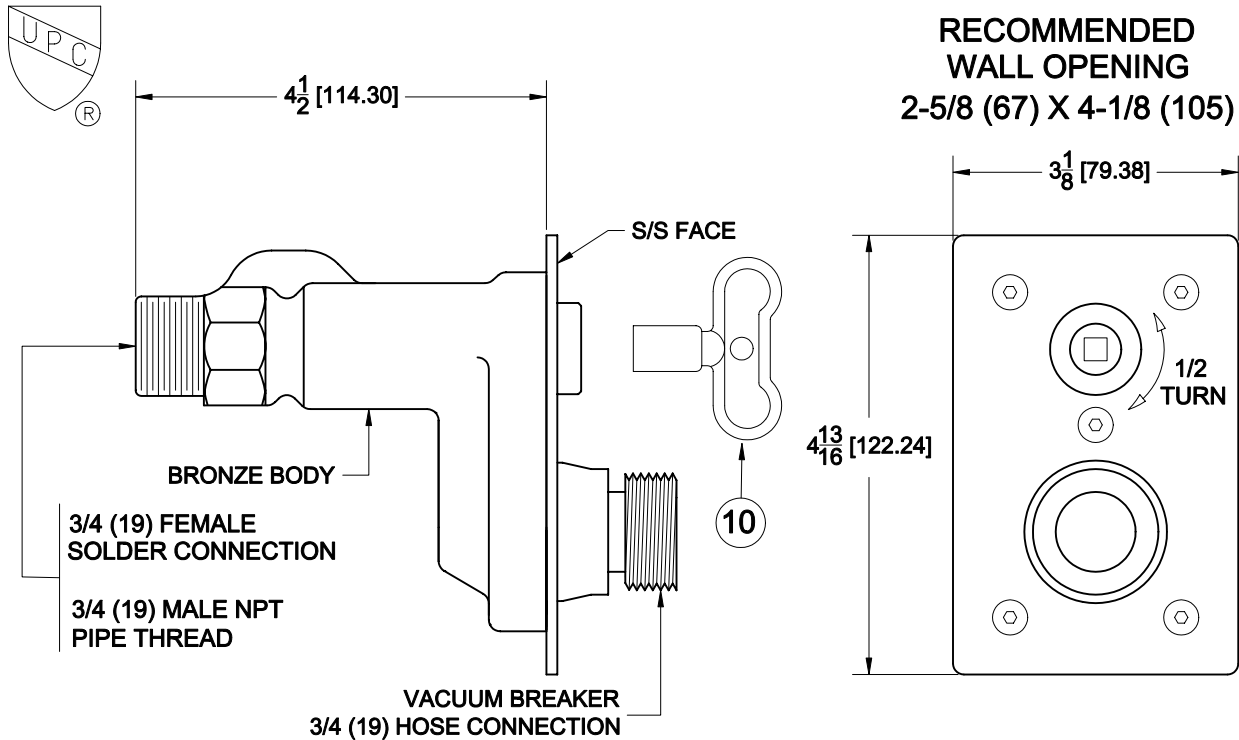


# WADE PRO

## MODERATE CLIMATE WALL HYDRANT

WH-410

ANTI-SIPHON WALL HYDRANT WITH INTEGRAL BACKFLOW PREVENTER, ALL BRONZE INTERIOR PARTS, 1/2 TURN CERAMIC DISC CARTRIDGE, COMBINATION 3/4 (19) FEMALE SOLDER & 3/4 (19) MALE NPT PIPE THREAD INLET, KEY OPERATOR AND STAINLESS STEEL FACE.



NO.	DESCRIPTION	UPC NO.
1	HYDRANT HEAD	670610 433521
2	CARTRIDGE ASSEMBLY	670610 433545
3	VACUUM BREAKER NOZZLE	670610 433705
4	O-RING (DRAIN OPENING)	670610 433637
5	O-RING (OPERATING COUPLING)	670610 433620
6	FACEPLATE ASSEMBLY	670610 433699
7	FACE PLATE SCREW 10-24NC	670610 263548
8	OPERATING COUPLING	670610 433644
9	THRUST WASHER	670610 433668
10	OPERATING KEY	670610 433651
11	O-RING (DISC SEAL)	670610 433712
12	BALANCE SEAL	670610 433682
13	DISC (VACUUM BREAKER)	670610 433675
14	CONTROL ROD	670610 433903

Catalog No. Pipe Size Outlet Style

WH-410 3/4 (19) NPT/CS 3/4 (19) HOSE