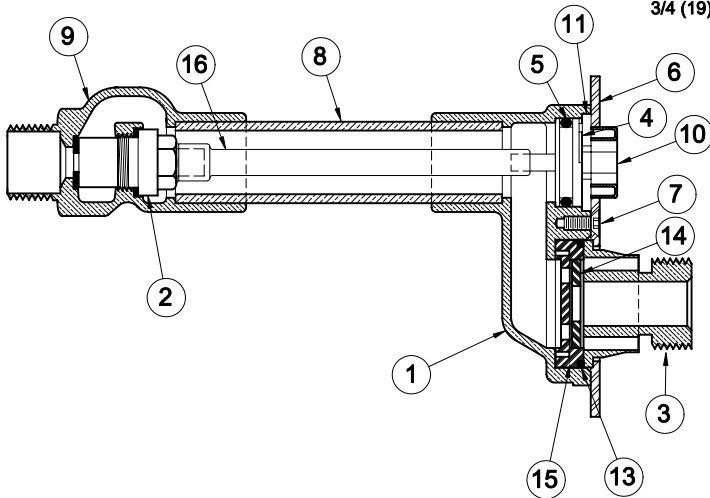
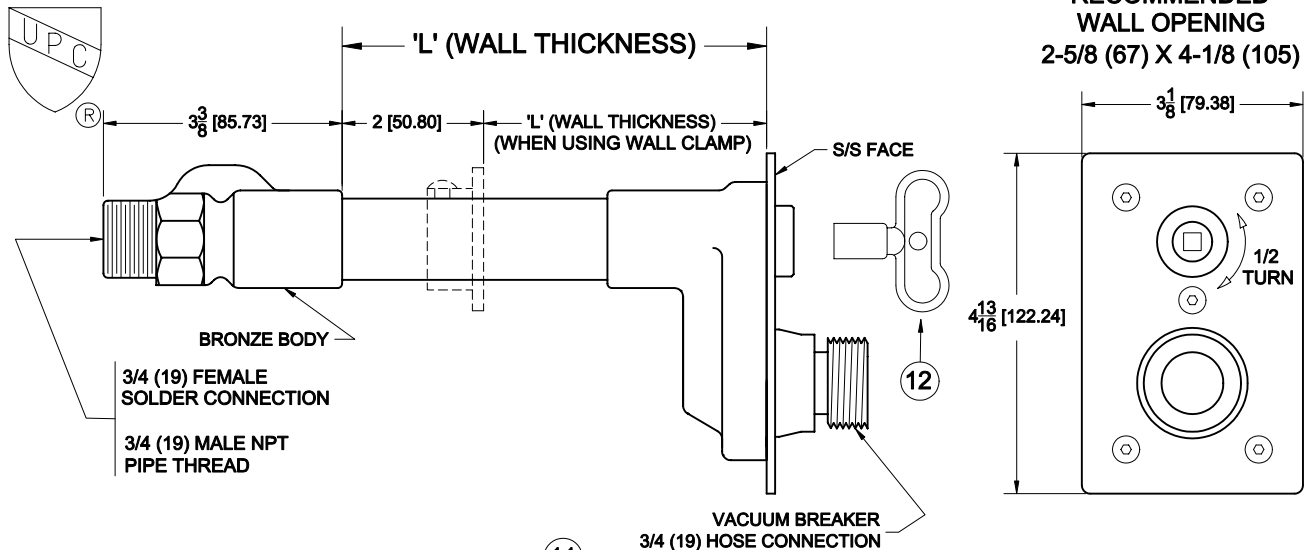


## NON-FREEZE WALL HYDRANT

### WH-400

ANTI-SIPHON WALL HYDRANT WITH INTEGRAL BACKFLOW PREVENTER, ALL BRONZE INTERIOR PARTS, 1/2 TURN CERAMIC DISC CARTRIDGE, COMBINATION 3/4 (19) FEMALE SOLDER & 3/4 (19) MALE NPT PIPE THREAD INLET, COPPER CASING, KEY OPERATOR AND STAINLESS STEEL FACE.



NO.	DESCRIPTION	
1	HYDRANT HEAD	670610 433514
2	CARTRIDGE ASSEMBLY	670610 433545
3	VACUUM BREAKER NOZZLE	670610 433705
4	O-RING (DRAIN OPENING)	670610 433637
5	O-RING (OPERATING COUPLING)	670610 433620
6	FACEPLATE ASSEMBLY	670610 433699
7	FACE PLATE SCREW 10-24NC	670610 263548
8	CASING	
9	VALVE CASING	670610 433538
10	OPERATING COUPLING	670610 433644
11	THRUST WASHER	670610 433668
12	OPERATING KEY	670610 433651
13	O-RING (DISC SEAL)	670610 433712
14	BALANCE SEAL	670610 433682
15	DISC (VACUUM BREAKER)	670610 433675
16	CONTROL ROD (L4)	670610 433552
	CONTROL ROD (L6)	670610 433569
	CONTROL ROD (L8)	670610 433576
	CONTROL ROD (L10)	670610 433590
	CONTROL ROD (L12)	670610 433583
	CONTROL ROD (L14)	670610 433606
	CONTROL ROD (L16)	670610 433613

### OPTIONS

Catalog No.	Pipe Size	'L' (Length)
<input type="checkbox"/> WH-400-4	3/4 (19)	4 (102)
<input type="checkbox"/> WH-400-6	3/4 (19)	6 (152)
<input type="checkbox"/> WH-400-8	3/4 (19)	8 (203)
<input type="checkbox"/> WH-400-10	3/4 (19)	10 (254)
<input type="checkbox"/> WH-400-12	3/4 (19)	12 (305)
<input type="checkbox"/> WH-400-14	3/4 (19)	14 (356)

Suffix	Description
<input type="checkbox"/> WC	WALL CLAMP