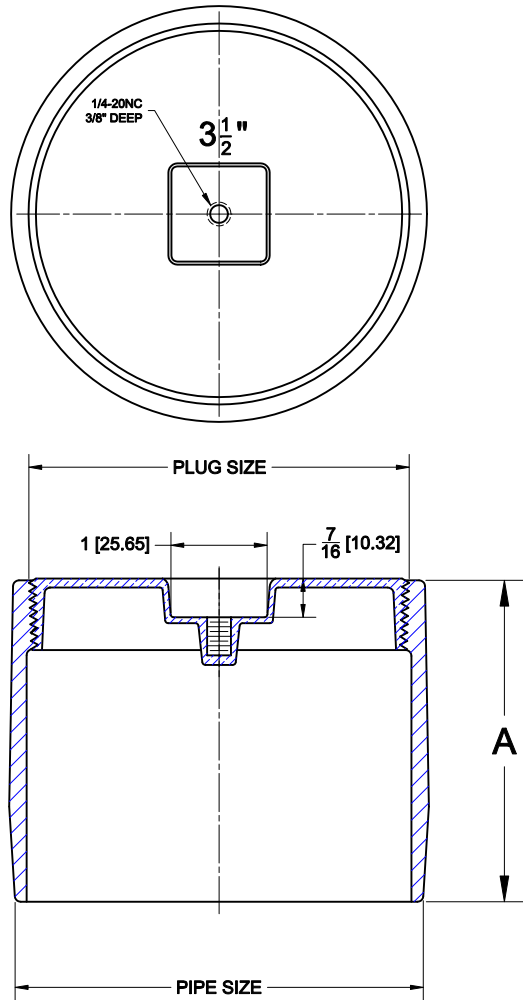


CLEANOUT FERRULE WITH PLUG



8550-E

CAST IRON CLEANOUT FERRULE WITH NPT THREADED BRASS PLUG WITH COUNTERSUNK HEAD.



PIPE SIZE	PLUG SIZE	A
2 (50)	1 1/2 (38)	2 3/4 (69.8)
3 (75)	2 1/2 (63)	3 (76.2)
4 (100)	3 1/2 (90)	3 1/4 (82.5)
5 (125)	4 (100)	4 3/8 (111.1)
6 (150)	5 (125)	4 1/2 (114.3)
8 (200)	6 (150)	4 5/8 (117.4)

Cat. No.	Pipe Size	Wt. Lbs.
<input type="checkbox"/> 8552-E	2 (50)	1.5
<input type="checkbox"/> 8553-E	3 (75)	2.5
<input type="checkbox"/> 8554-E	4 (100)	4.0
<input type="checkbox"/> 8555-E	5 (125)	6.0
<input type="checkbox"/> 8556-E	6 (150)	9.0
<input type="checkbox"/> 8558-E	8 (200)	10.5

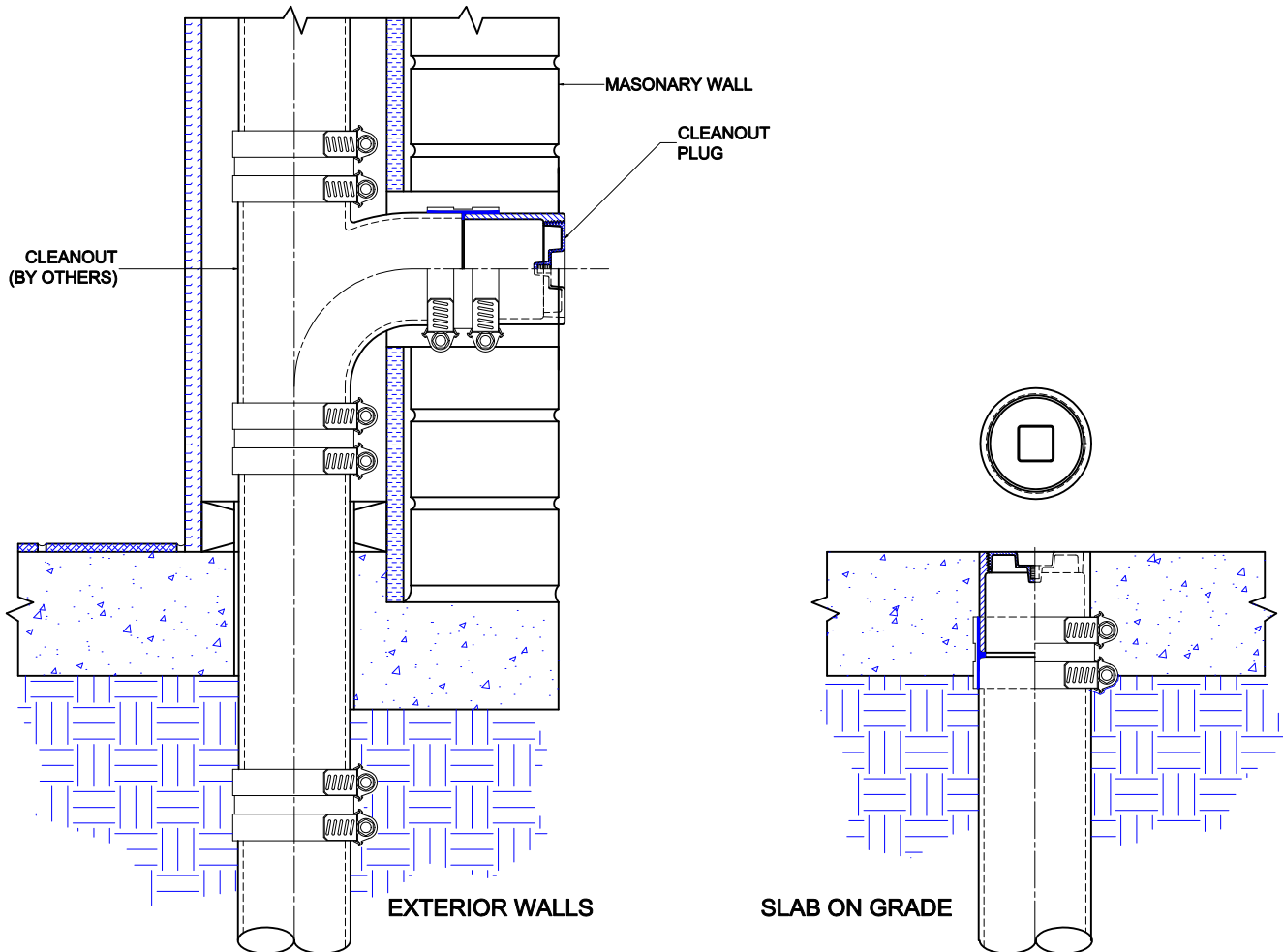
AutoCad.dwg

CLEANOUT FERRULE WITH PLUG



8550-E

CAST IRON CLEANOUT FERRULE WITH NPT THREADED BRASS PLUG WITH COUNTERSUNK HEAD.



The Wade 8550-E Cleanout ferrule with plug is for slab on grade floor construction as well as exterior walls. The cleanout piping is first run to an elevation below the expected finish floor level. The ferrule is secured to the pipe with with any of three connections; No-Hub, Inside Caulk, or Push-On Ty-Seal. If the Ty-Seal connection is specified, apply Tyler Ty-Seal lubricant to the inside surfaces of the gasket and then firmly push the ferrule into the pipe hub until it contacts the pipe stop. No-Hub should be installed with Tyler or Anaco/Husky couplings and secured with a torque wrench to the manufacturers recommendations. Inside Caulk connections should follow standard industry practices. Once the body is connected to the pipe, the concrete slab is poured to an elevation level with the top of cleanout. Various methods exist for connection to IPS sized pipe (PVC, Steel). For 2"-4" sizes, a standard No-Hub coupling can be used for connection. Larger sizes will require a transition coupling or an IPSxNH adapter fitting.