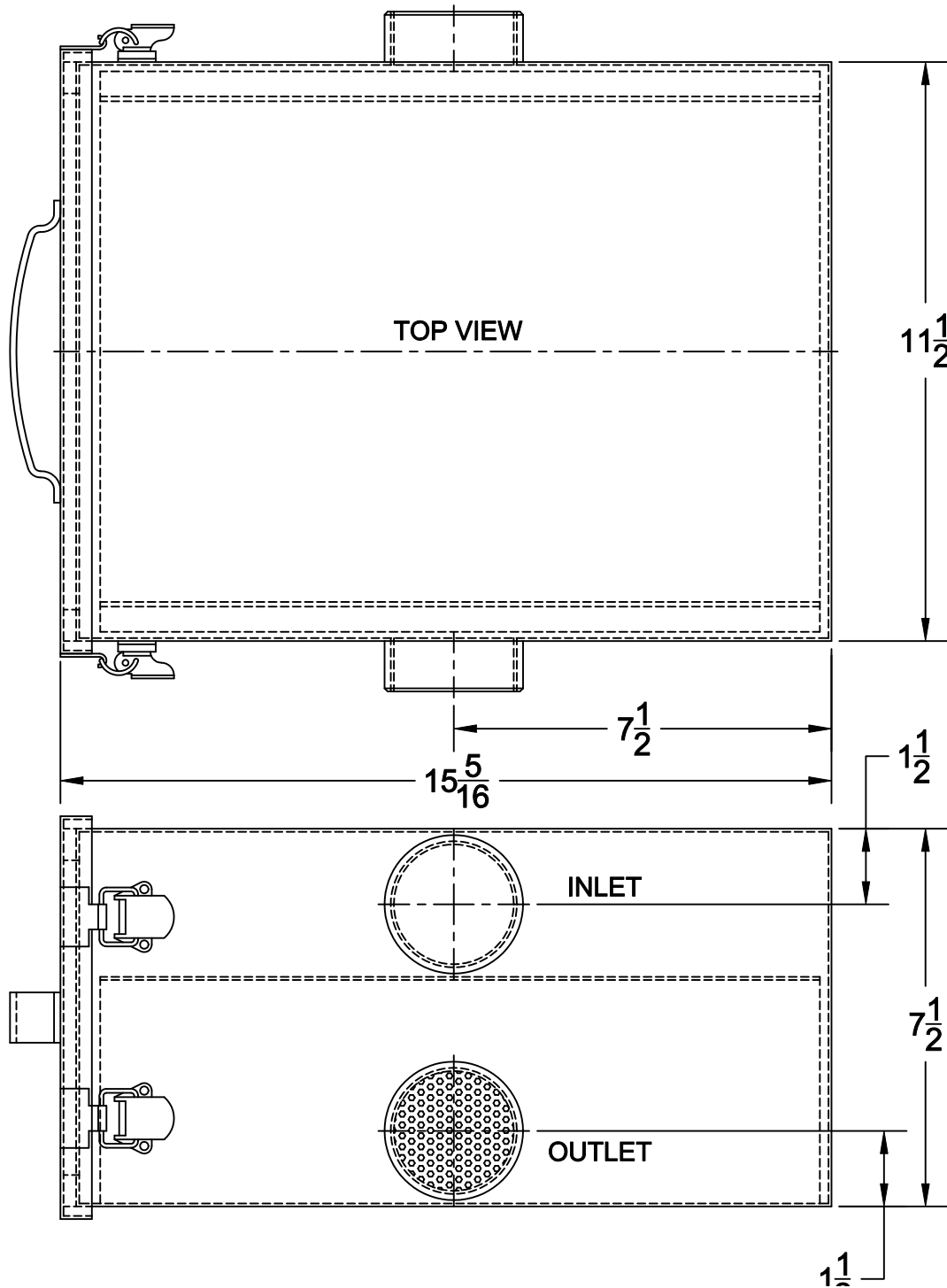


SOLIDS INTERCEPTOR



5770

SIDE ACCESS STAINLESS STEEL SOLIDS INTERCEPTOR WITH 2" THREADED INLET/OUTLET, LATCHING GASKETED COVER AND PERFORATED S/S SEDIMENT BASKET.



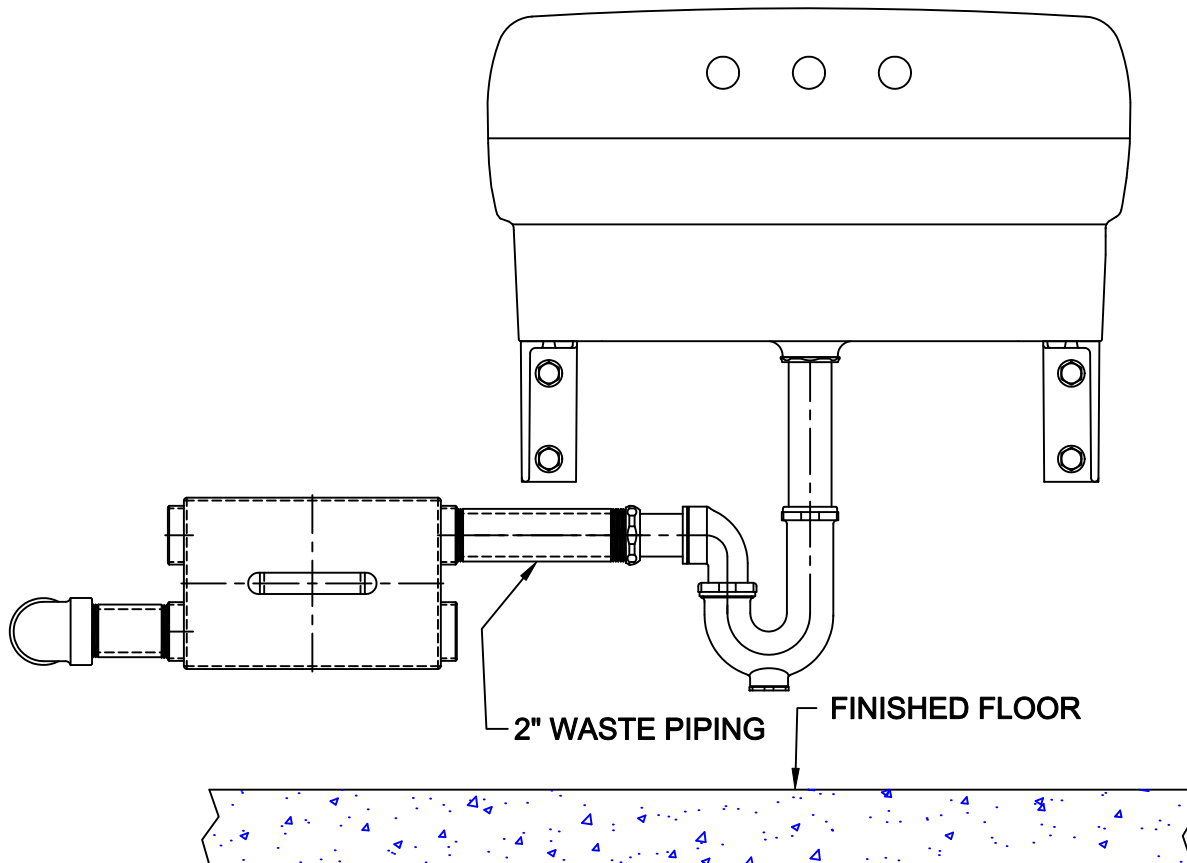
UNIT HAS INLETS/OUTLETS ON EACH SIDE FOR RIGHT OR LEFT HAND MOUNTING.

SOLIDS INTERCEPTOR



5770

SIDE ACCESS STAINLESS STEEL SOLIDS INTERCEPTOR WITH 2" THREADED INLET/OUTLET, LATCHING GASKETED COVER AND PERFORATED S/S SEDIMENT BASKET.



SIZING

The Wade 5770 side access solids interceptor is designed for suspended or under sink installations where there are height restrictions for a top access solids interceptor. This unit is furnished with two high inlets and two low outlets (each side) for left hand or right hand installation. The 5770 interceptor is normally furnished with no-hub inlets/outlets. Threaded inlets/outlets are available when specified. The interceptor is capable of handling an maximum flow rate of 35 GPM.

DESIGN

The Wade 5770 solids interceptor is designed to recover food waste from sinks, garbage grinders and dishwasher machines. The unit operates on gravity feed and screens the debris. Wastes are retained in perforated side access basket.

OPERATION

The waste water flows from the inlet piping into the interceptor body, passing through the perforated basket then exiting to the outlet to the sanitary sewer. The waste material is trapped in the basket.

MAINTENANCE

Cleaning should be done on a regular basis, either before or after a normal eight hour operation period or depending upon the the unit becomes clogged. To clean, unlatch the cover and remove. Remove the basket and dispose of the debris. Hose off the basket. Before re-installing, make certain the sealing gasket is intact and clean. Apply a light coating of lubricant on the gasket sealing surface - this helps prevent the gasket from adhering to the body and aids in maintaining a complete seal. The basket should be placed in the body, suspended on the guide rails. Re-secure and latch the cover. Check for leaks.

AutoCad.dwg