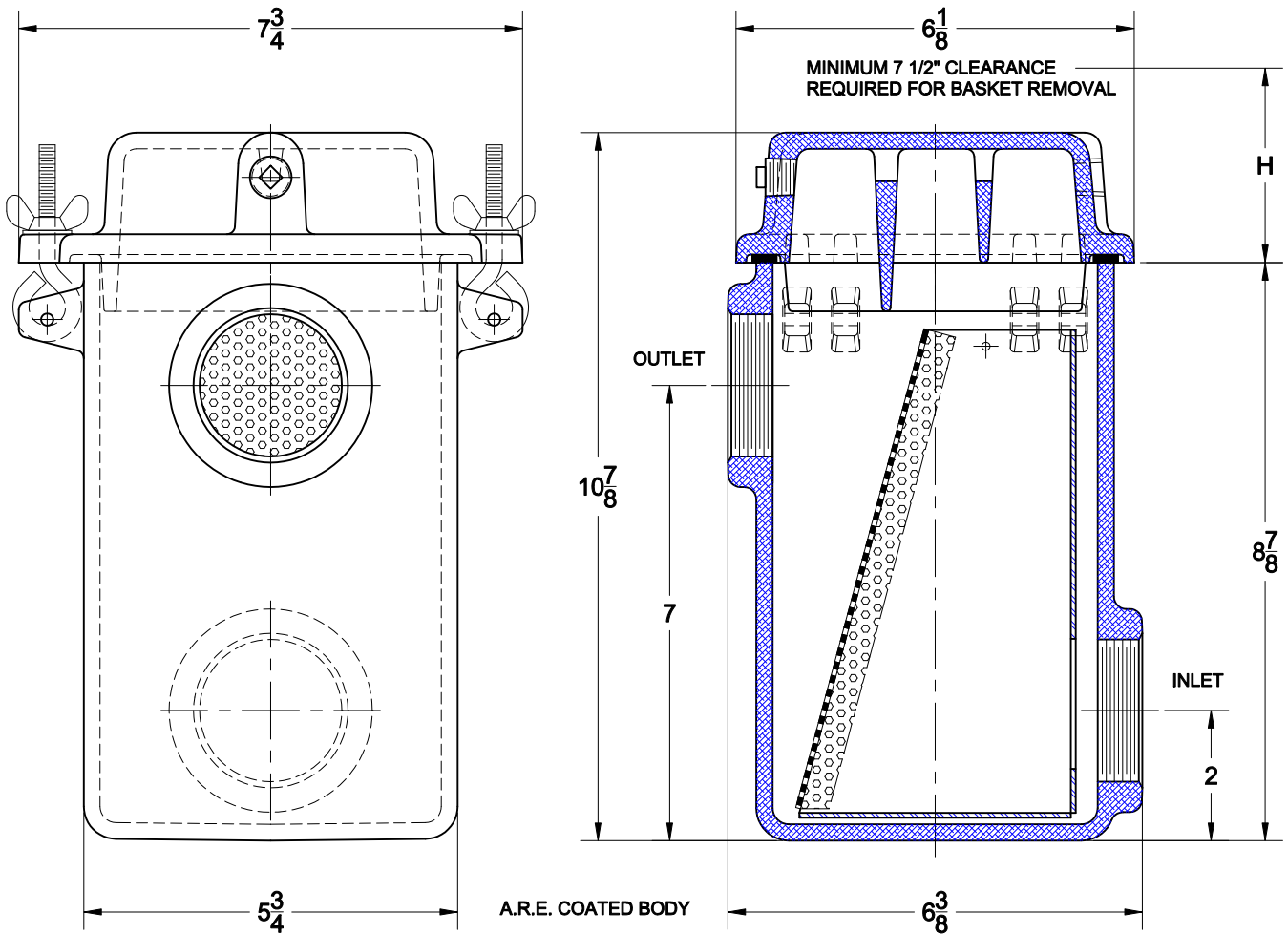


SOLIDS INTERCEPTOR



5720

CAST ALUMINUM SOLIDS INTERCEPTOR WITH A.R. PAINT, GASKETED COVER, REMOVABLE SEDIMENT BUCKET WITH S/S PERFORATED SCREEN AND THREADED INLET/OUTLET.

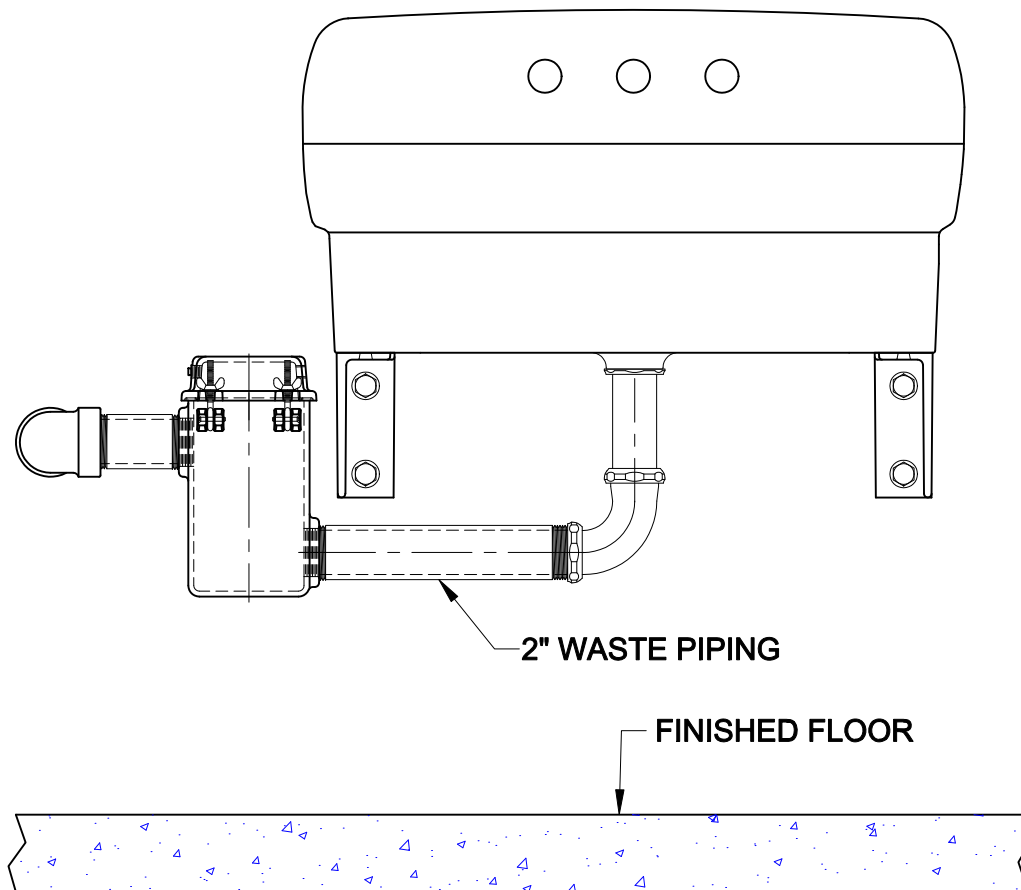


			OPTIONS	
Cat. No.	Pipe Size	Wt. Lbs.	Suffix	Description
<input type="checkbox"/> 5720	2	10.0	<input type="checkbox"/> 63	A.R.E. COATING INSIDE & OUTSIDE
<input type="checkbox"/>			<input type="checkbox"/> 68	STAINLESS STEEL PERFORATED BUCKET

AutoCad.dwg

5720

CAST ALUMINUM SOLIDS INTERCEPTOR WITH A.R. PAINT, GASKETED COVER, REMOVABLE SEDIMENT BUCKET WITH S/S PERFORATED SCREEN AND THREADED INLET/OUTLET.



SIZING

There are no sizing requirements for this interceptor. This unit is designed with 2" inlet and outlet and is capable of handling the drainage volumes for 2" pipe size.

DESIGN

The Wade 5720 interceptor is designed to retain all types of solids (metal particles, plaster, clay, etc.) The interceptor works through the principle gravity separation. Waste from the fixture passes through a stainless steel screen which retains the accumulating debris before it can pass through the sanitary sewer system.

OPERATION

The waste water from the fixture flows from the inlet piping into the interceptor inlet, into the main body chamber, then exits the chamber into the sanitary sewer drain system. The interceptor replaces the fixture p-trap.

MAINTENANCE

Cleaning should be done on a periodic basis before the basket becomes clogged.

Remove the cover and lift out the sediment bucket. Clean the accumulated debris. Rinse with clean warm water to clear scum from the perforations.

Re-install the cover and tighten the wing nuts. Efficiency of operation is directly related to the level of maintenance.