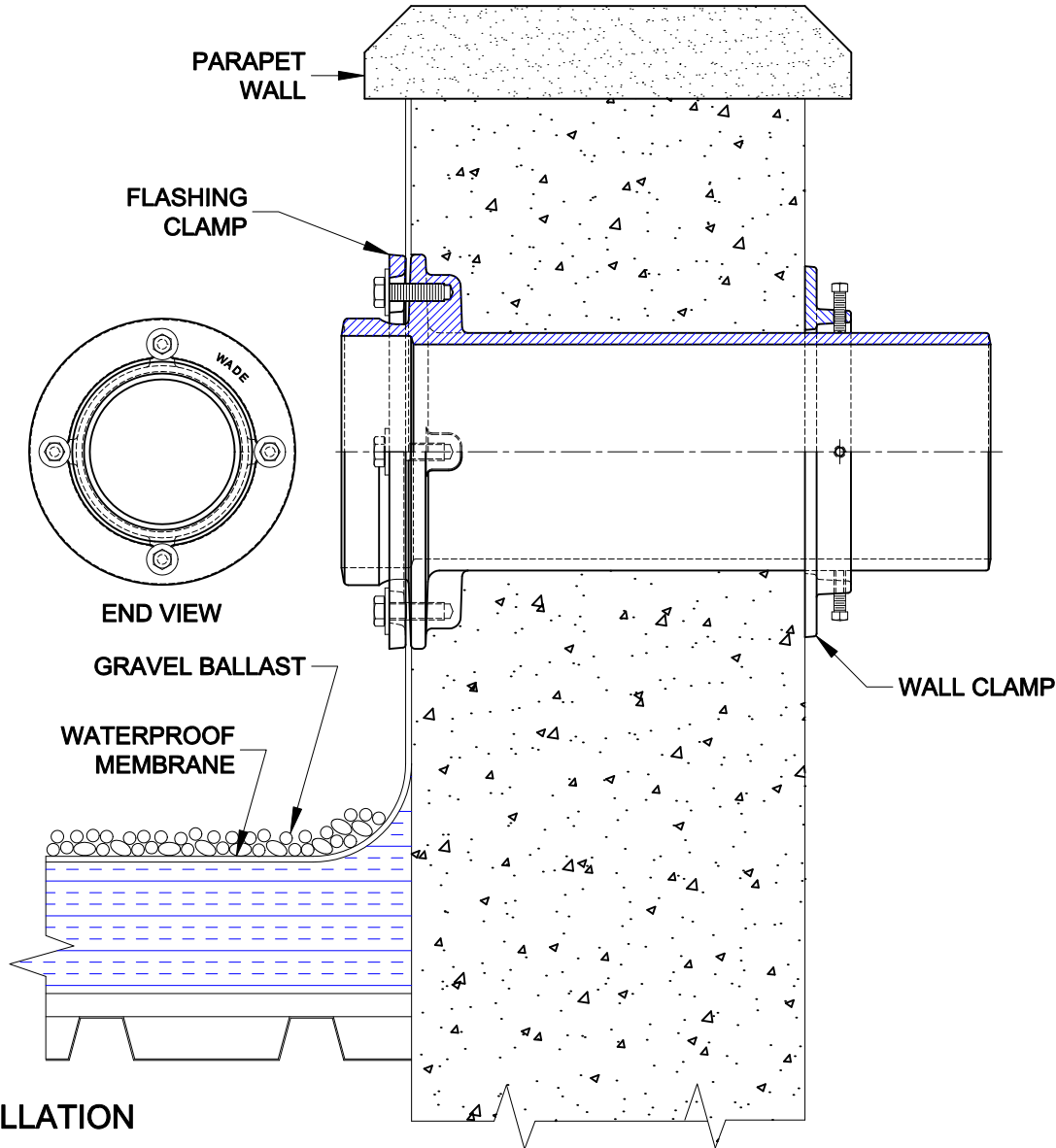


# PARAPET SCUPPER SLEEVE



3940-D

PAINTED CAST IRON PARAPET WALL SCUPPER SLEEVE WITH FLANGE, FLASHING CLAMP RING AND WALL CLAMP.



## INSTALLATION

The Wade 3940-D parapet wall scupper sleeve serves as an emergency over flow scupper drain. Cut-off grooves in the sleeve body allow for field cut lengths to accommodate various wall thicknesses.

At the pre-determined location and height, a hole in the parapet wall is made to receive the sleeve. The sleeve sets in place with the flange flush with the wall. On the opposite side, a wall clamp is placed over the sleeve and secured to the body with set screws.

The waterproof membrane is applied to the roof deck and adjacent parapet wall. The clamping ring secures the membrane. Depending upon the type of roof system, gravel ballast may be required to secure the membrane to the roof deck.