

ROOF DRAIN

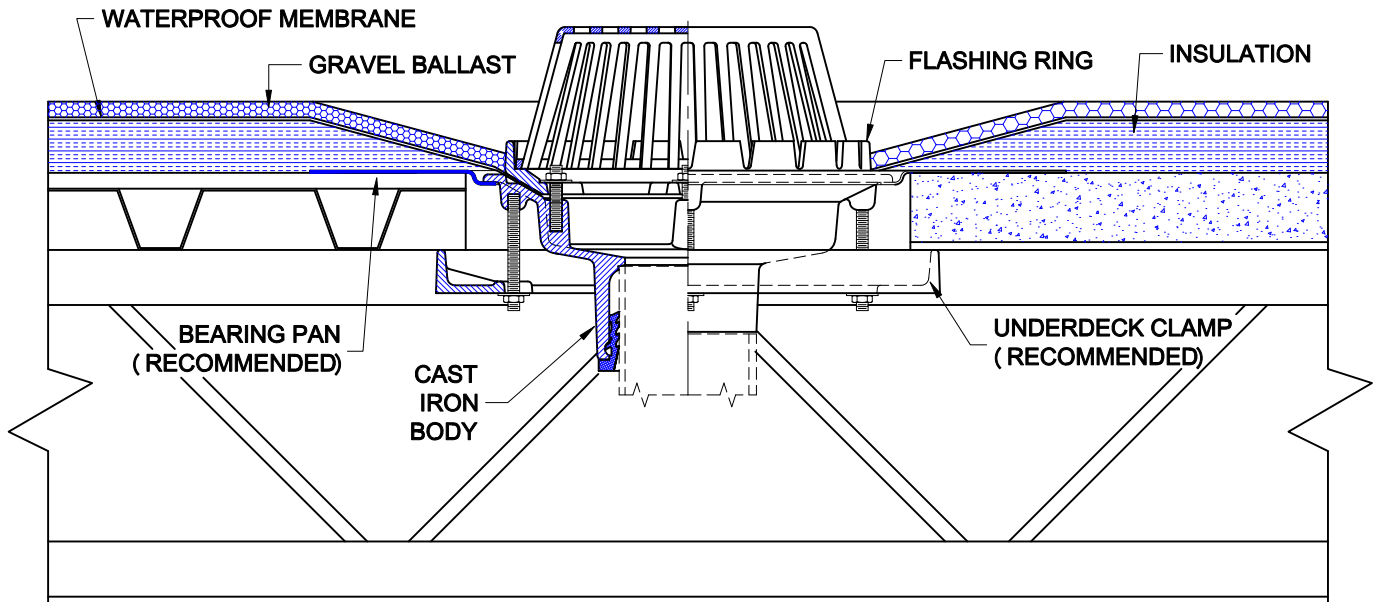


Approval Date
Customer Approval
Job Location
Job Name

Wade Division / Tyler Pipe Assumes No Responsibility For Superseded or Voided Data
are Subject to Manufacturers Tolerance and Change Without Notice.
Dimensional Data (Inches/mm)

3220

CAST IRON ROOF DRAIN WITH FLANGE, FLASHING RING INTEGRAL WITH GRAVEL STOP, PLASTIC MUSHROOM DOME AND BOTTOM OUTLET.



INSTALLATION

The Wade 3220 is used for conventional roof membrane insulated systems. For proper installation, an optional bearing pan and underdeck clamp are recommended.

1. At the predetermined location, cut a circular opening into the deck to receive the bearing pan. The pan is recessed to allow the drain body to sit almost flush with the deck.
2. Install the drain body into the bearing pan and secure with the underdeck clamp from underneath. Installation of piping may then proceed.
3. From the roof side, install threaded rods. The threaded rods will act as a guide to properly align the flashing ring.
4. If insulation is to be applied, it should be tapered toward the drain. Taper the insulation from a 24" diameter to the top surface of the body flange. If insulation is thicker than can be accommodated with a standard assembly, use a fixed extension.
5. On the roof side, apply the waterproof membrane per manufacturers recommendations. Membrane must lay flat and contour the opening. Install the flashing ring with the provided hardware, securely fastening the membrane between the body and the flashing ring.
6. The dome grate fits into the flashing ring and is secured by interlocking two of the threaded studs.

AutoCad.dwg

ROOF DRAIN



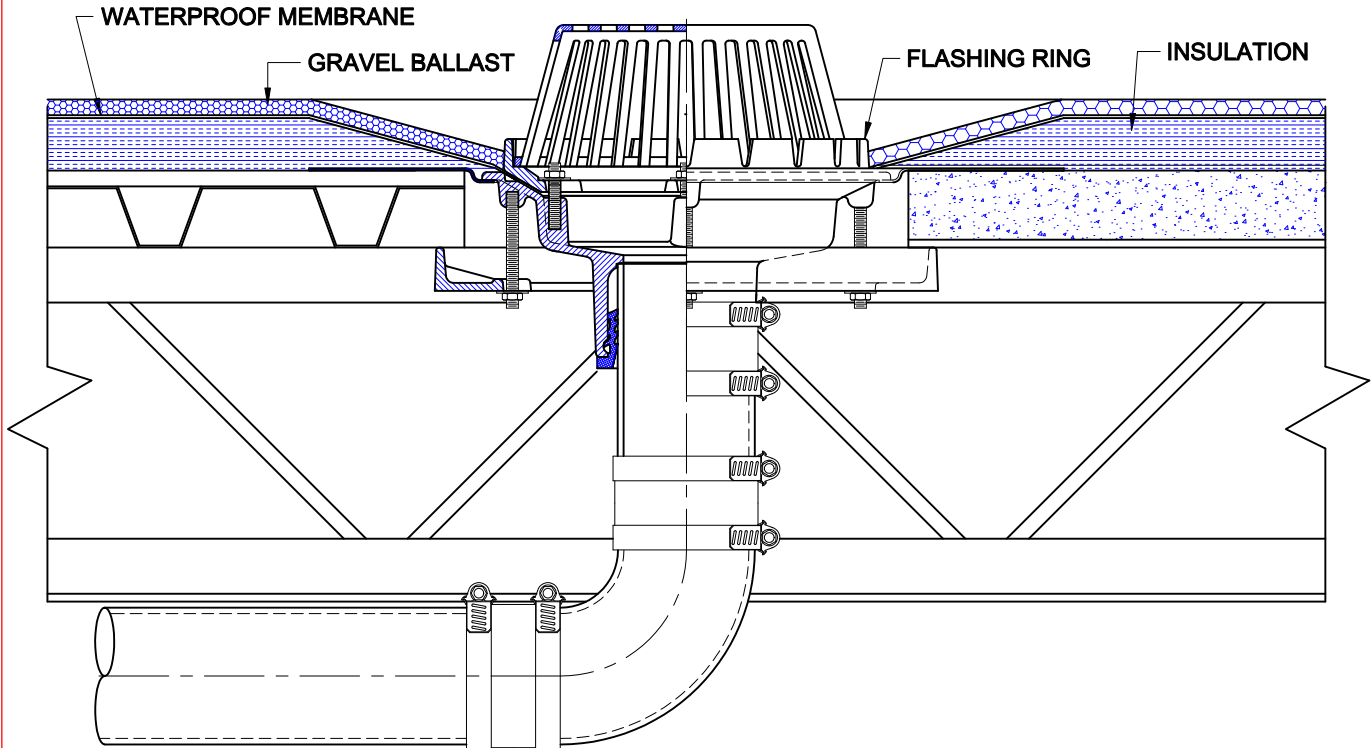
Approval Date

3220

CAST IRON ROOF DRAIN WITH FLANGE, FLASHING RING INTEGRAL WITH GRAVEL STOP, PLASTIC MUSHROOM DOME AND BOTTOM OUTLET.

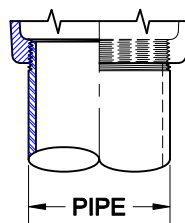
Customer Approval

Wade Division / Tyler Pipe Assumes No Responsibility For Superseded or Voided Data

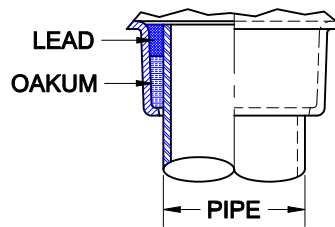


Job Location

Dimensional Data (Inches/mm) are Subject to Manufacturers Tolerance and Change Without Notice.



THREADED OUTLET



INSIDE CAULK OUTLET

PIPE INSTALLATION

The drain piping is first run to an elevation below the roof drain. The drain body is secured to the pipe with any of four connections; No-Hub, Inside Caulk, Threaded or Push-On Ty-Seal. The type of connection must be specified upon ordering any Wade Drain. If the Ty-Seal connection is specified, apply Tyler Ty-Seal lubricant to the inside surfaces of the gasket and then firmly push the pipe into the hub until it contacts the pipe stop in the body. No-Hub outlets should be installed with Tyler or Anaco/Husky couplings and secured with a torque wrench to the manufacturers recommendations. Inside Caulk and threaded connections should follow standard industry practices. Once the body is connected to the pipe, the horizontal piping runs are sloped for gravity feed to the down pipe locations. The piping must be supported to recommended hanger spacings and insulated if required.

Job Name