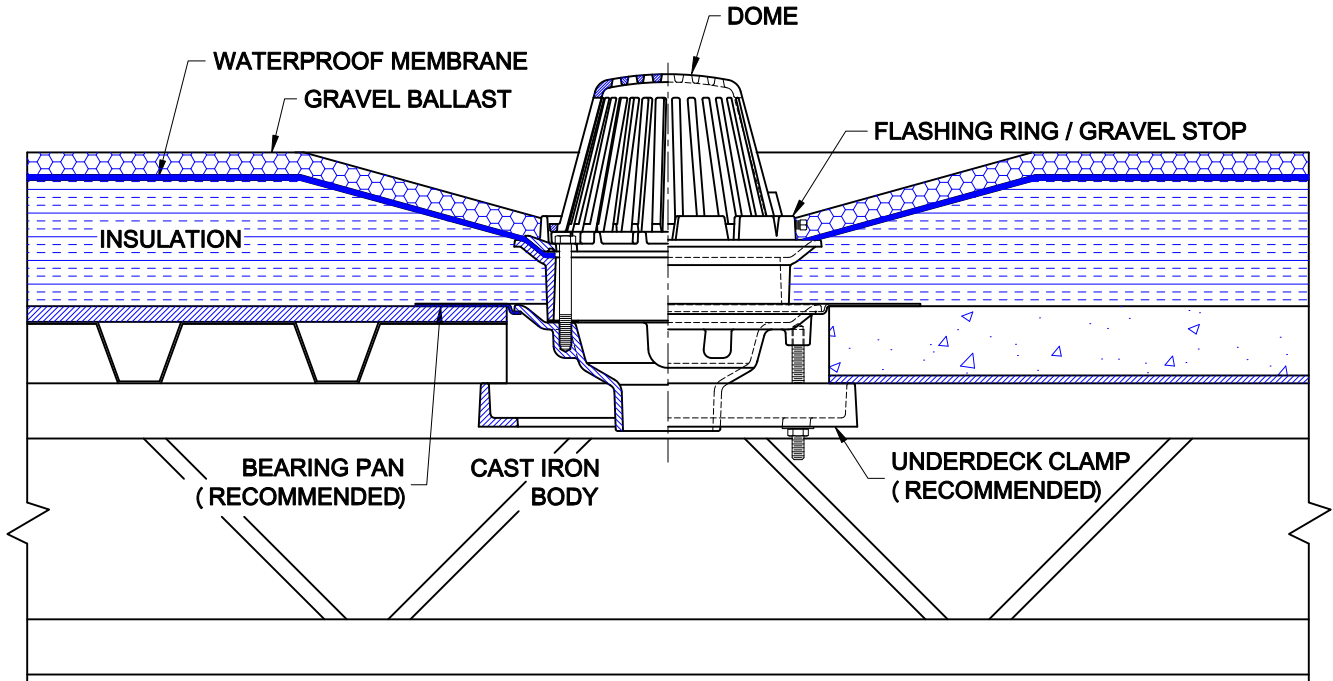


ROOF DRAIN



3200-DF

CAST IRON ROOF DRAIN WITH FLANGE, FLASHING RING INTEGRAL WITH MEMBRANE CLAMP, CAST IRON MUSHROOM DOME, 2" HIGH FIXED EXTENSION AND BOTTOM OUTLET.



INSTALLATION

The Wade 3200-DF is used for conventional roof membrane insulated systems. For proper installation, an optional bearing pan and underdeck clamp are recommended.

1. At the predetermined location, cut a circular opening into the deck to receive the bearing pan. The pan is recessed to allow the drain body to sit almost flush with the deck.
2. Install the drain body into the bearing pan and secure with the underdeck clamp from underneath. Installation of piping may then proceed.
3. Install the fixed extension. A flat gasket is provided to make the seal between the body and the extension.
4. Apply the insulation - it should be tapered toward the drain. If insulation is thicker than can be accommodated with a standard assembly, extensions can be stacked. Taper the insulation from a 24" diameter to the top surface of the flange. Apply the waterproof membrane per manufacturers recommendations. Membrane must lay flat and contour the opening. Install the flashing ring with the provided hardware, securely fastening the membrane between the body and the flashing ring. Gravel ballast is evenly spread over the membrane up to the perimeter of the gravel stop.
5. The dome is installed by a setting into the ring and securing with two set screws.

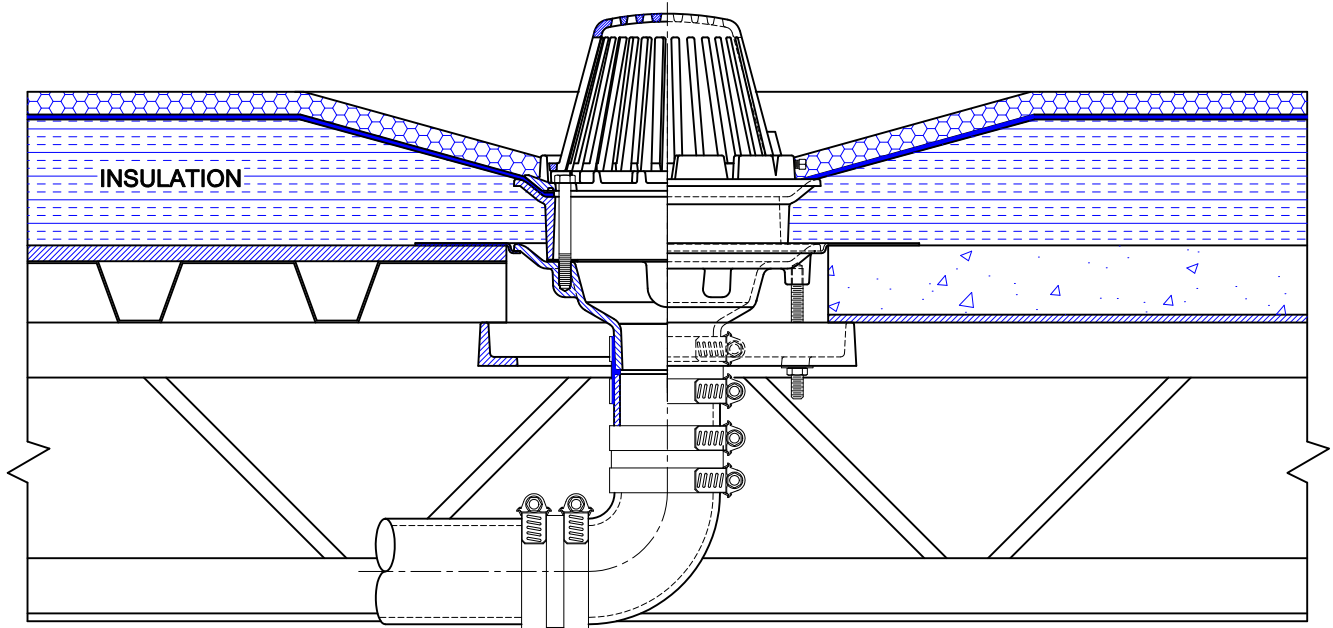
Approval Date
Customer Approval
Job Location
Job Name
Wade Division / Tyler Pipe Assumes No Responsibility For Superseded or Voided Data
Dimensional Data (Inches/mm) are Subject to Manufacturers Tolerance and Change Without Notice.

ROOF DRAIN



3200-DF

CAST IRON ROOF DRAIN WITH FLANGE, FLASHING RING INTEGRAL WITH MEMBRANE CLAMP, CAST IRON MUSHROOM DOME, 2" HIGH FIXED EXTENSION AND BOTTOM OUTLET.



PIPE INSTALLATION

The drain piping is first run to an elevation below the roof drain. The drain body is secured to the pipe with No-Hub couplings. No-Hub outlets should be installed with Tyler or Anaco/Husky couplings and secured with a torque wrench to the manufacturers recommendations. Once the body is connected to the pipe, the horizontal piping runs are sloped for gravity feed to the down pipe locations. The piping must be supported to recommended hanger spacings and insulated if required.

Approval Date

Customer Approval

Job Location

Job Name

Wade Division / Tyler Pipe Assumes No Responsibility For Superseded or Voided Data
Dimensional Data (Inches/mm) are Subject to Manufacturers Tolerance and Change Without Notice.