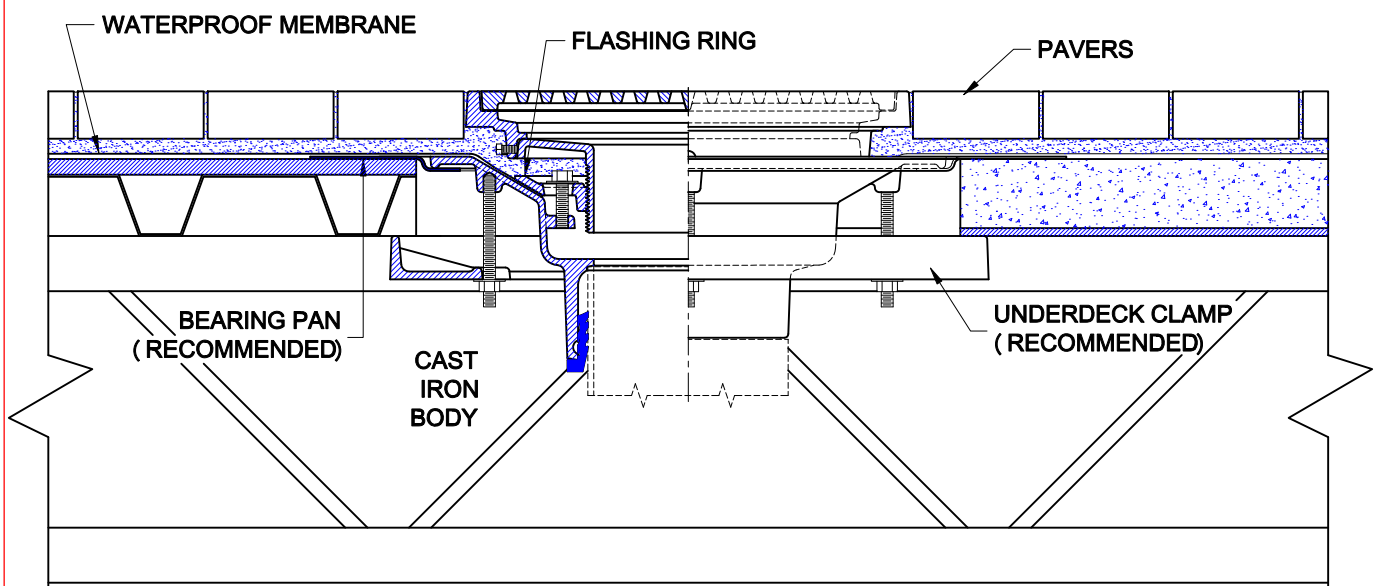
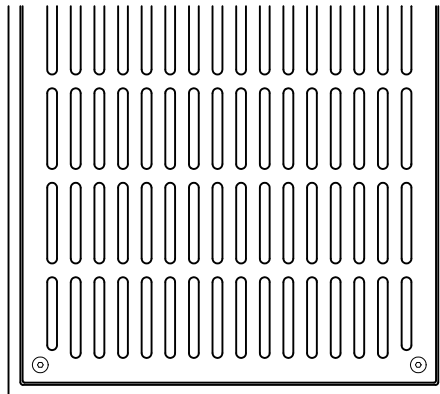


PROMENADE DECK DRAIN



3100-AEM

CAST IRON PROMENADE DECK DRAIN WITH FLANGE, FLASHING RING, THREADED ADJUSTABLE COLLAR, DUCTILE IRON HEEL PROOF FLAT GRATE AND BOTTOM OUTLET.



INSTALLATION

The Wade 3100 is used for promenade deck systems. For proper installation, an optional bearing pan and underdeck clamp are recommended.

1. At the predetermined location, cut a circular opening into the deck to receive the bearing pan. The pan is recessed to allow the drain body to sit almost flush with the deck.
2. Install the drain body into the bearing pan and secure with the underdeck clamp from underneath. Installation of piping may then proceed.
3. On the roof side, apply the waterproof membrane per manufacturers recommendations. Membrane must lay flat and contour the opening. Install the flashing ring with the provided hardware, securely fastening the membrane between the body and the flashing ring. Rotate the top up or down to the desired height. To align the top, loosen securing screws and rotate to desired position - Re-tighten screws.
4. The flat grate fits into a recess in the flashing ring. The grate is supplied with securing hardware or can be loose set.
5. Paver installation should follow the manufacturers recommendations. Top of pavers should be at the same level as the drain top. The majority of drainage occurs through the deck drain top. Weep holes in the flashing ring allow for any perimeter seepage.

AutoCad.dwg

PROMENADE DECK DRAIN



3100-AEMM

CAST IRON PROMENADE DECK DRAIN WITH FLANGE, FLASHING RING, THREADED ADJUSTABLE COLLAR, DUCTILE IRON HEEL PROOF FLAT GRATE AND BOTTOM OUTLET.

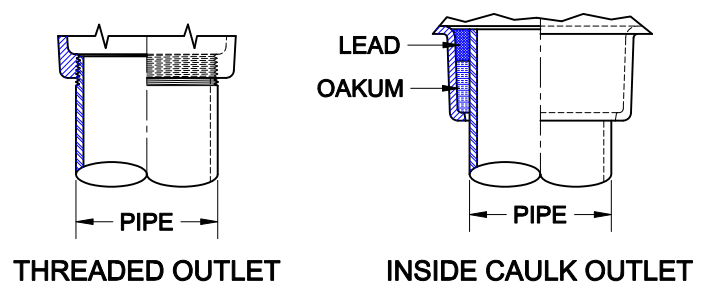
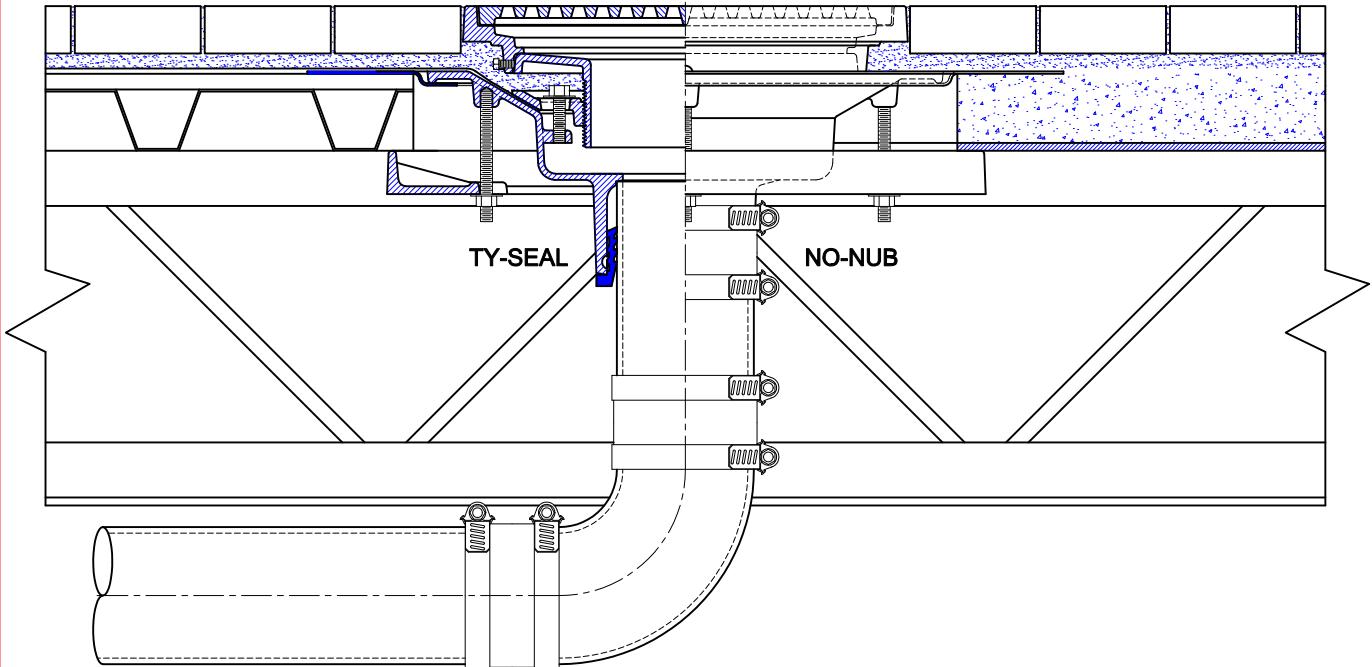
Approval Date

Customer Approval

Job Location

Job Name

Wade Division / Tyler Pipe Assumes No Responsibility For Superseded or Voided Data
 Wade Division / Tyler Pipe Assumes No Responsibility For Superseded or Voided Data
 are Subject to Manufacturers Tolerance and Change Without Notice.



PIPE INSTALLATION

The drain piping is first run to an elevation below the roof drain. The drain body is secured to the pipe with any of four connections; No-Hub, Inside Caulk, Threaded or Push-On Ty-Seal. The type of connection must be specified upon ordering any Wade Drain. If the Ty-Seal connection is specified, apply Tyler Ty-Seal lubricant to the inside surfaces of the gasket and then firmly push the pipe into the hub until it contacts the pipe stop in the body. No-Hub outlets should be installed with Tyler or Anaco/Husky couplings and secured with a torque wrench to the manufacturers recommendations. Inside Caulk and threaded connections should follow standard industry practices. Once the body is connected to the pipe, the horizontal piping runs are sloped for gravity feed the the down pipe locations. The piping must be supported to recommended hanger spacings and insulated if required.