

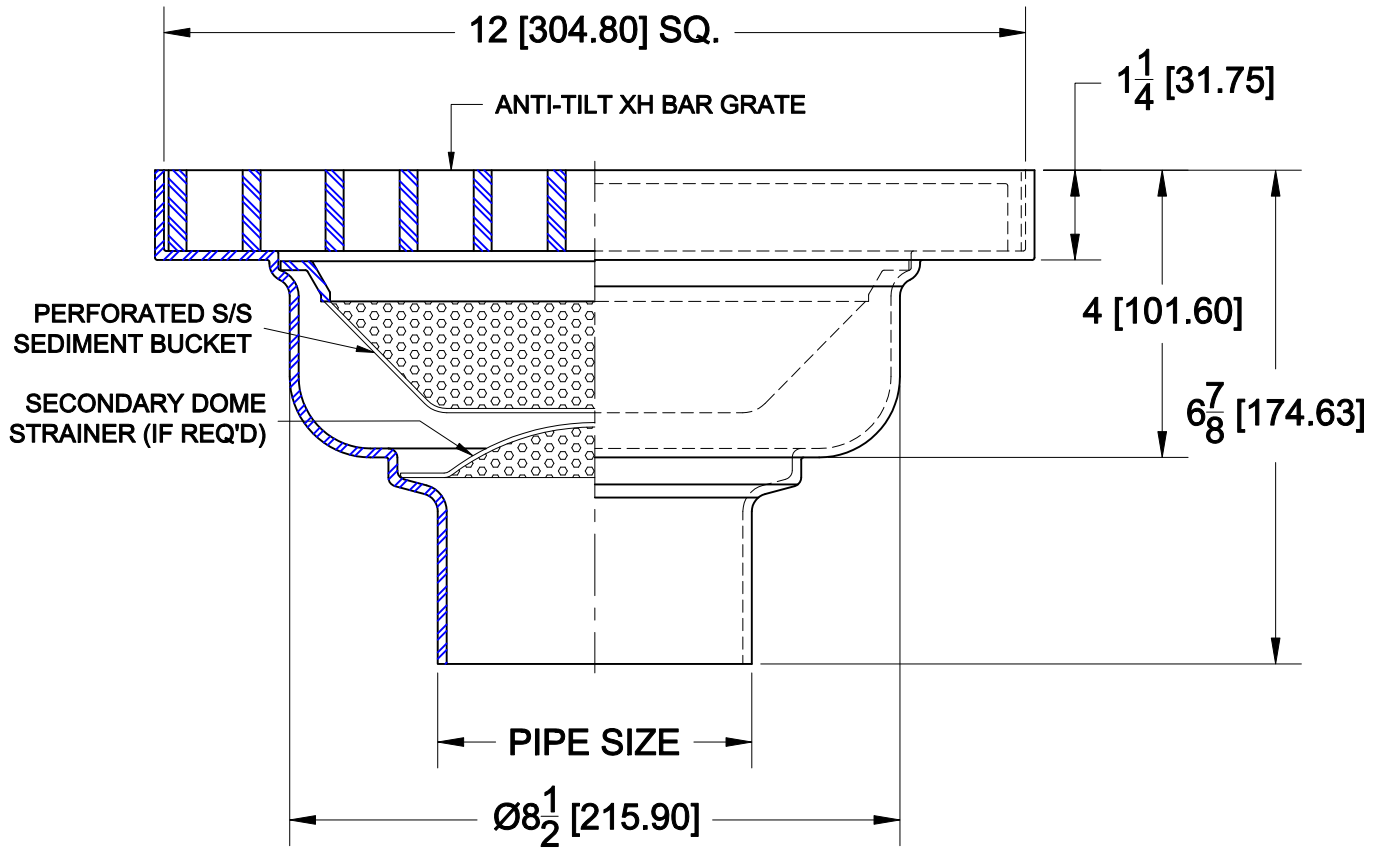
FLOOR SINKS - STAINLESS STEEL



9710-155

STAINLESS STEEL 12" SQUARE FLOOR SINK WITH NON-TILT XH BAR GRATE, 6" DEEP ROUND SUMP, PERFORATED SEDIMENT BUCKET & BOTTOM OUTLET.

ANSI LOAD RATING - XH EXTRA HEAVY DUTY (7,500 - 10,000 LBS)



OPTIONS

Cat. No.	Pipe Size	Wt. Lbs.
<input type="checkbox"/> 9712-155	2 (50)	10.0
<input type="checkbox"/> 9713-155	3 (75)	10.0
<input type="checkbox"/> 9714-155	4 (100)	10.0
<input type="checkbox"/> 9716-155	6 (100)	10.0

Suffix	Description
<input type="checkbox"/> 9	SECONDARY DOME STRAINER
<input type="checkbox"/> 15	HALF GRATE
<input type="checkbox"/> 16	THREE-QUARTER GRATE
<input type="checkbox"/> 17	GRATE W/ 2 1/2" SQUARE CENTER HOLE
<input type="checkbox"/> 18	SOLID COVER
<input type="checkbox"/> 26	FLANGE & CLAMP DEVICE

OUTLETS

Suffix	Description
--------	-------------

- NH NO-HUB
- TY TY-SEAL

AutoCad.dwg