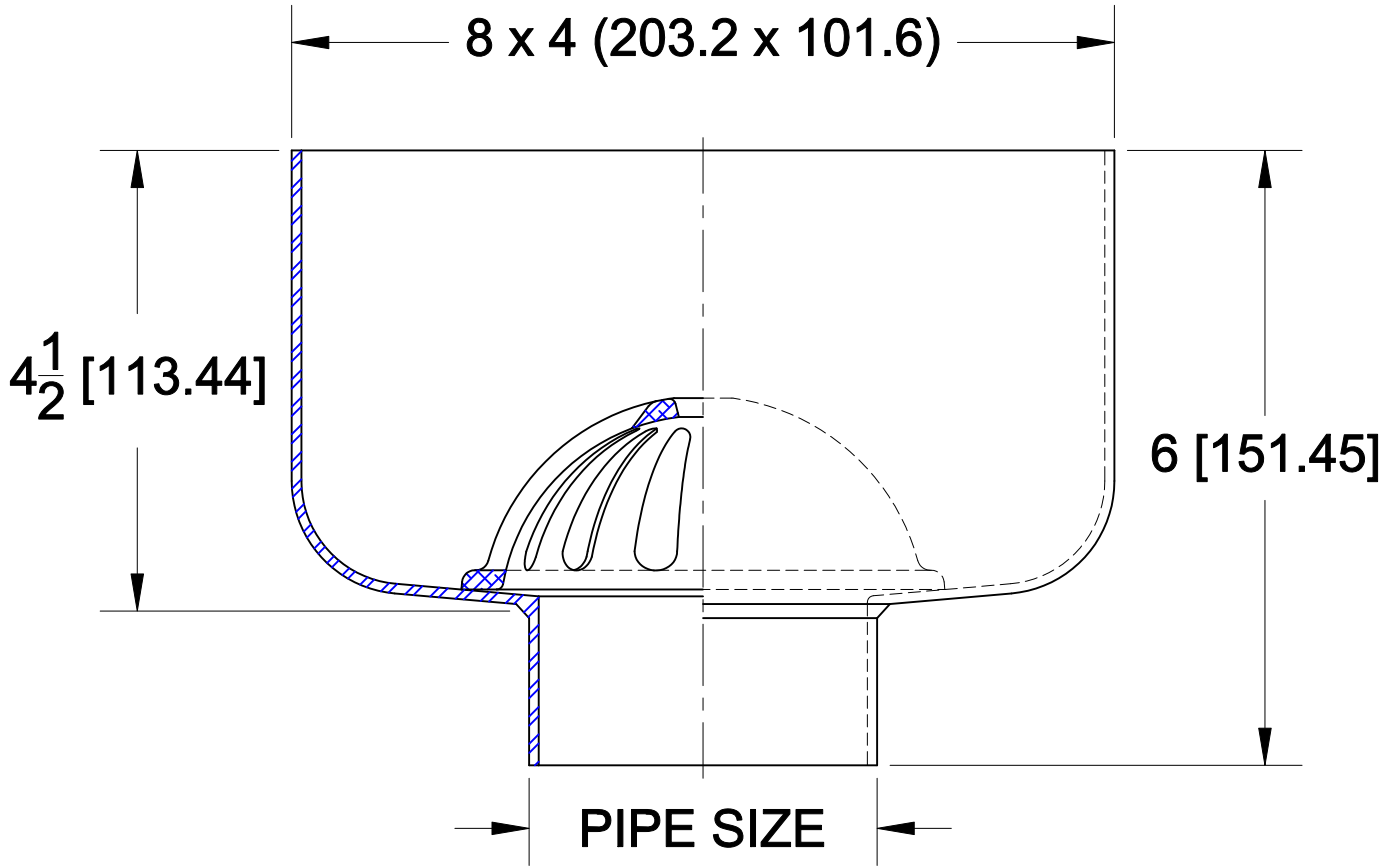


OPEN SITE DRIP DRAIN



9410

STAINLESS STEEL 4x8" RECTANGULAR OPEN SITE DRIP DRAIN WITH ALUMINUM DOME BOTTOM STRAINER AND BOTTOM OUTLET.



OPTIONS

Cat. No.	Pipe Size	Wt. Lbs.	Suffix	Description
<input type="checkbox"/> 9412	2 (50)	8.0	<input type="checkbox"/> 6	1/2" TRAP PRIMER CONNECTION
<input type="checkbox"/> 9413	3 (75)	8.0	<input type="checkbox"/> 24	ANCHOR FLANGE
<input type="checkbox"/> 9414	4 (100)	8.5	<input type="checkbox"/> 26	ANCHOR FLANGE W/ CLAMP DEVICE
			<input type="checkbox"/> 27	PERFORATED S/S SEDIMENT BASKET
			<input type="checkbox"/> 33	CLOSURE PLUG (PLASTIC)
			<input type="checkbox"/> 129	PERFORATED S/S DOME STRAINER

OUTLETS

<input type="checkbox"/> NH NO-HUB	<input type="checkbox"/>	<input type="checkbox"/> BW BUTT-WELD	<input type="checkbox"/> IPS THREADED
------------------------------------	--------------------------	---------------------------------------	---------------------------------------

AutoCad.dwg