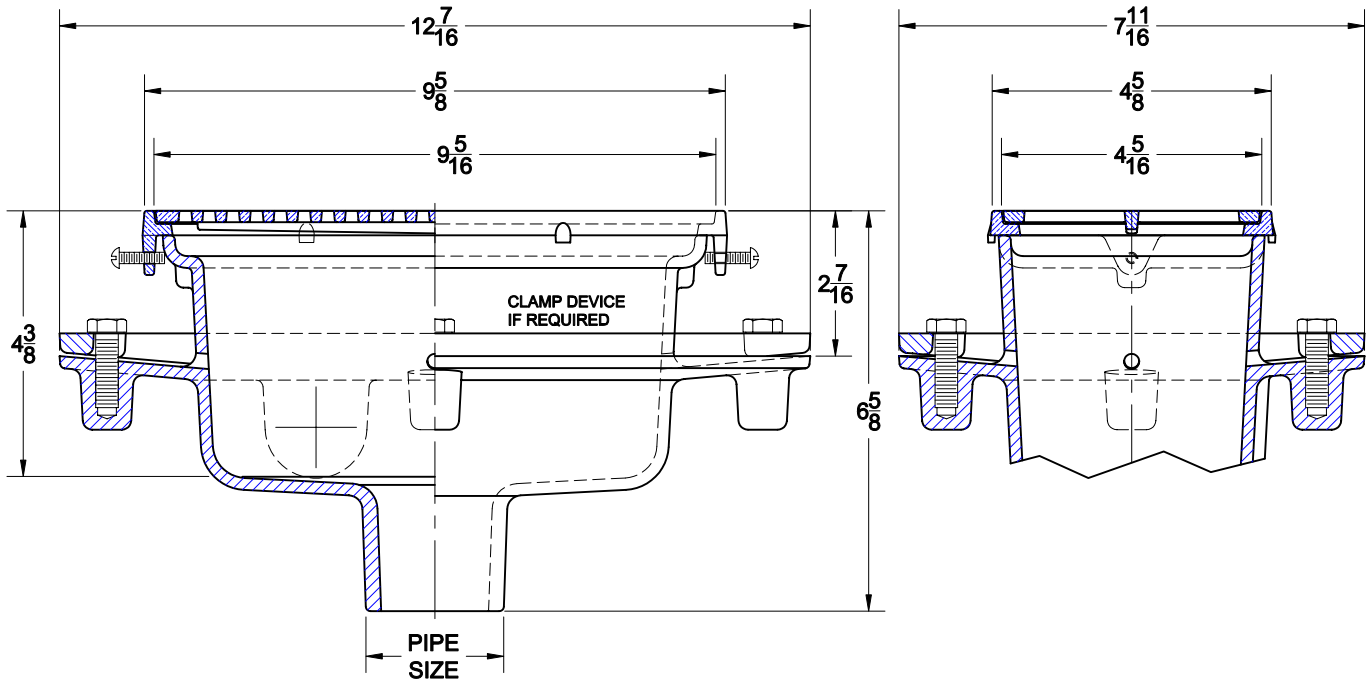


RECTANGULAR FLOOR SINK



9200-1

A.R.E. RECTANGULAR FLOOR SINK WITH NICKEL BRONZE GRATE AND FRAME & NO-HUB BOTTOM OUTLET



OPTIONS

Cat. No.	Pipe Size	Wt. Lbs.	Suffix	Description
<input type="checkbox"/> 9202-1	2	11.0	<input type="checkbox"/> 6	1/2" TRAP PRIMER CONNECTION
<input type="checkbox"/> 9203-1	3	11.5	<input type="checkbox"/> 15	HALF GRATE
			<input type="checkbox"/> 26	FLANGE & CLAMP DEVICE
			<input type="checkbox"/> 27	SEDIMENT BUCKET
			<input type="checkbox"/> EF4	4" DIA. FUNNEL (SAME MATERIAL AS TOP)
			<input type="checkbox"/> EF6	6" DIA. FUNNEL (SAME MATERIAL AS TOP)

AutoCad.dwg