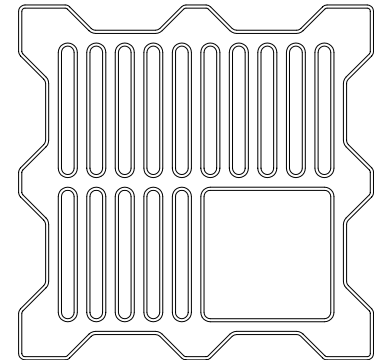
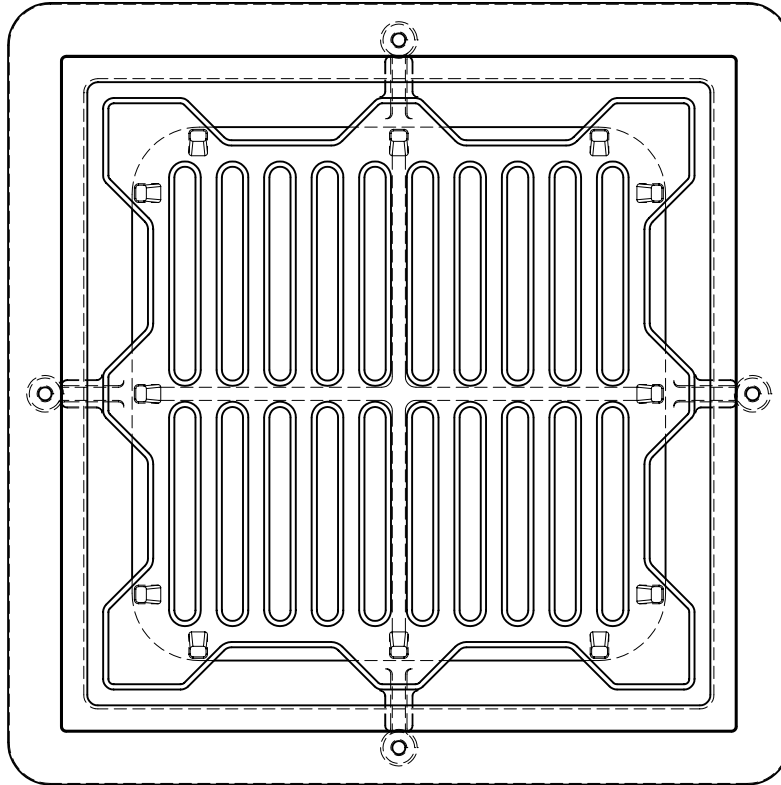


FLOOR SINKS

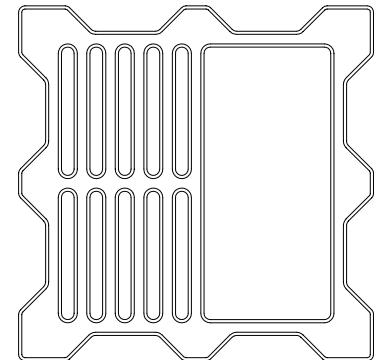


9160-64

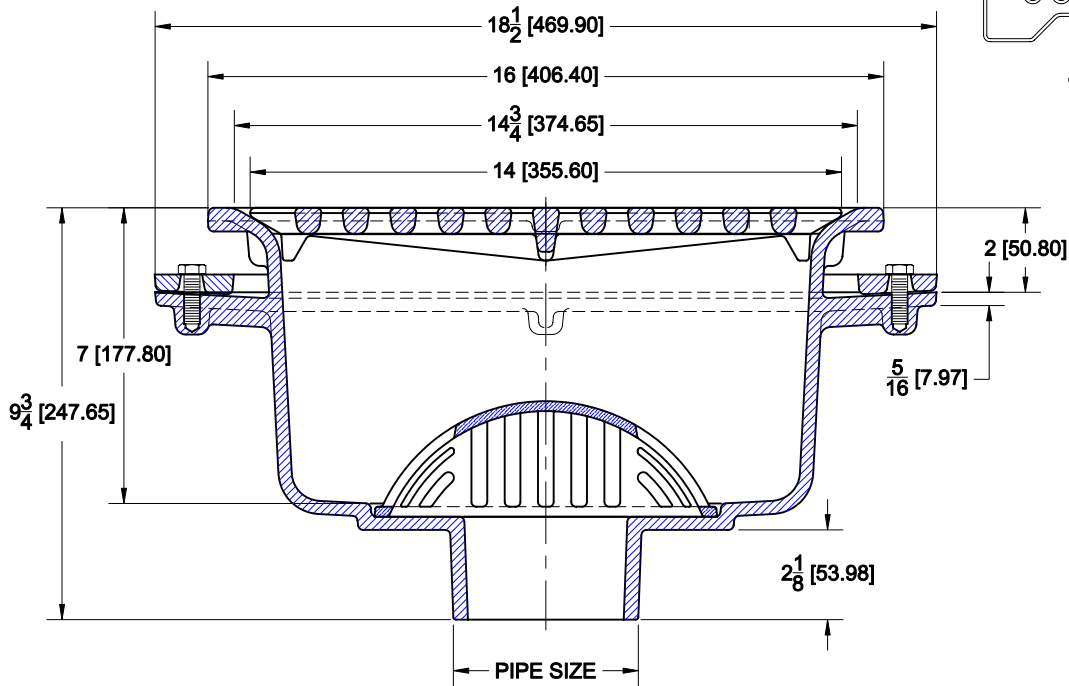
CAST IRON A.R.E. COATED ROUND FLOOR SINK WITH SEEPAGE FLANGE, ALUMINUM DOME BOTTOM STRAINER, FULL A.R.E. GRATE & NO-HUB BOTTOM OUTLET.



3/4 GRATE



1/2 GRATE



OPTIONS

| Cat. No. | Pipe Size | Wt. Lbs. | Suffix | Description |
|----------------------------------|-----------|----------|-----------------------------|--------------------------|
| <input type="checkbox"/> 9164-64 | 4 (100) | 74.0 | <input type="checkbox"/> 26 | CLAMP DEVICE |
| <input type="checkbox"/> 9166-64 | 6 (150) | 74.0 | <input type="checkbox"/> 27 | ALUMINUM SEDIMENT BUCKET |
| <input type="checkbox"/> 9168-64 | 8 (200) | 74.0 | | |

AutoCad.dwg