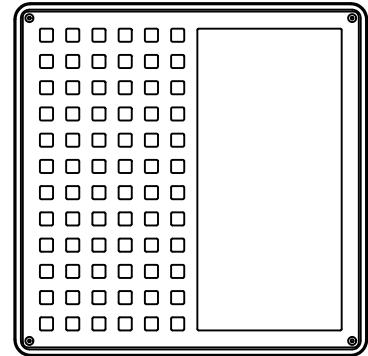
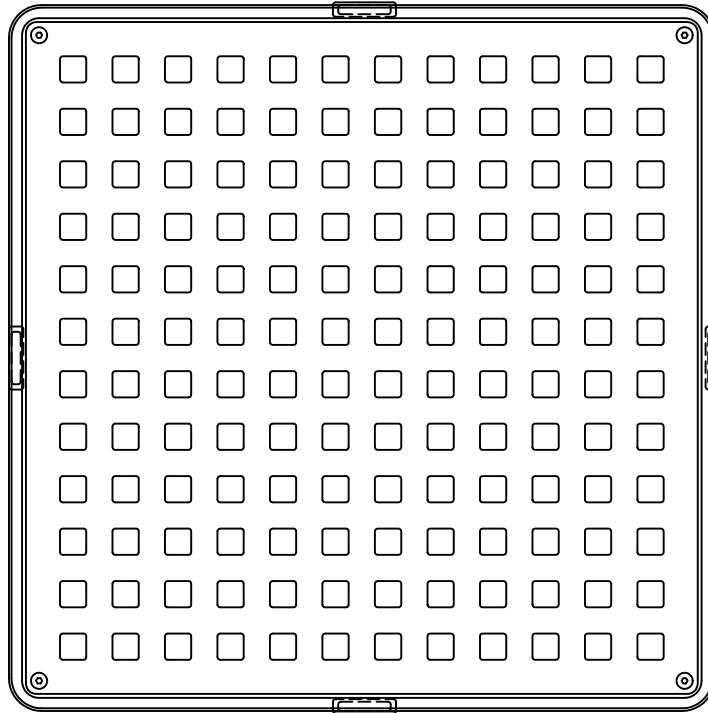


# FLOOR SINKS

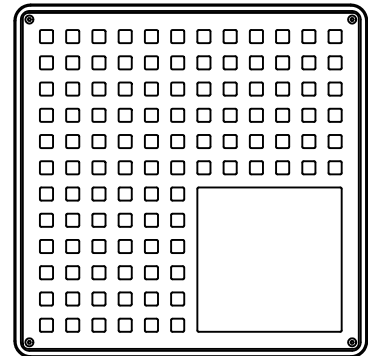


9160-1

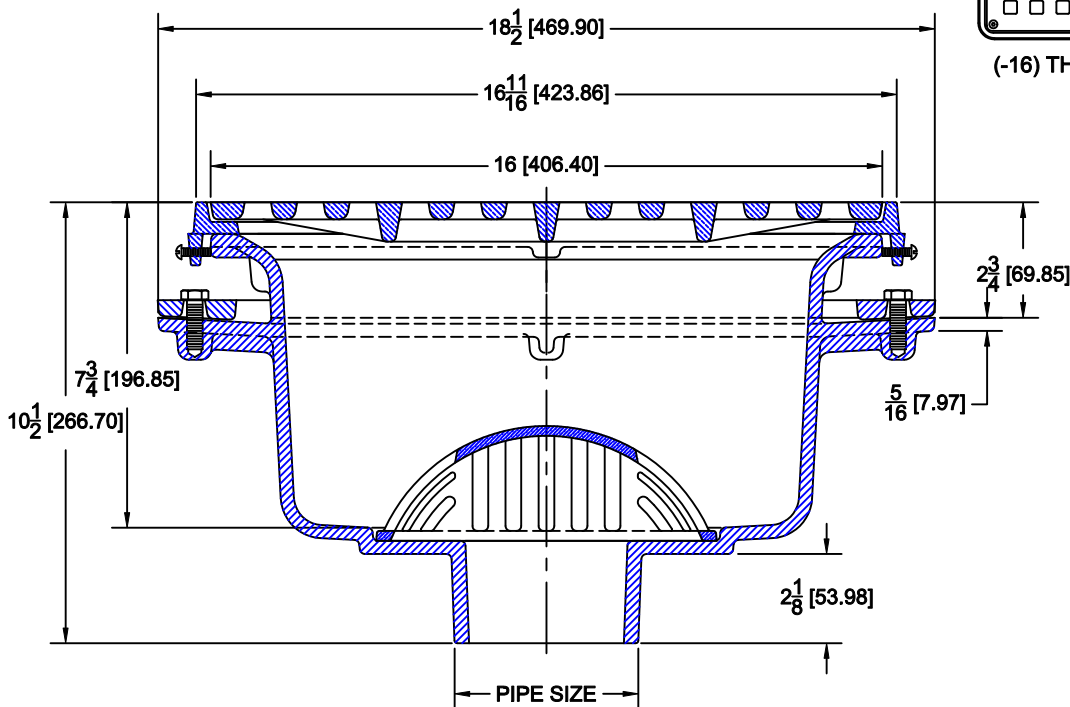
CAST IRON A.R.E. COATED ROUND FLOOR SINK WITH SEEPAGE FLANGE, ALUMINUM DOME BOTTOM STRAINER, SATIN FINISH NICKEL BRONZE FRAME & GRATE & NO-HUB BOTTOM OUTLET.



(-15) HALF GRATE



(-16) THREE QUARTER GRATE



### OPTIONS

Cat. No.	Pipe Size	Wt. Lbs.	Suffix	Description
<input type="checkbox"/> 9164-1	4 (100)	74.0	<input type="checkbox"/> 15	HALF GRATE
<input type="checkbox"/> 9166-1	6 (150)	74.0	<input type="checkbox"/> 16	THREE QUARTER GRATE
<input type="checkbox"/> 9168-1	8 (200)	74.0	<input type="checkbox"/> 26	CLAMP DEVICE
			<input type="checkbox"/> 27	ALUMINUM SEDIMENT BUCKET

AutoCad.dwg