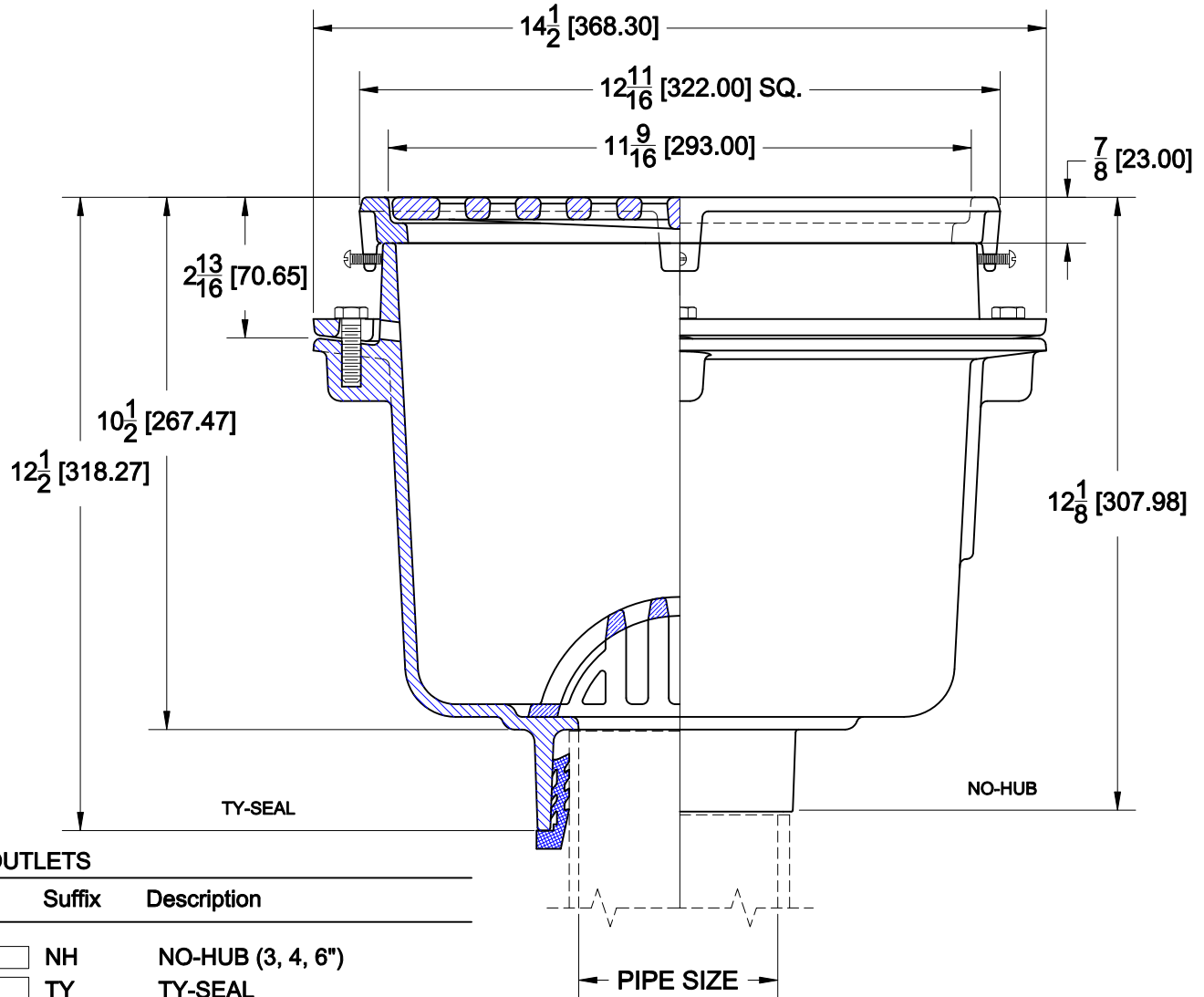
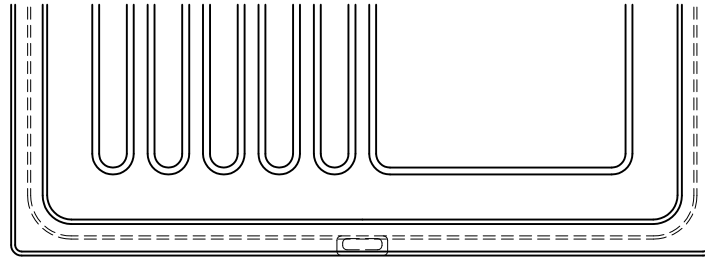


FLOOR SINKS - SQUARE



9150-15-26-64

CAST IRON 12" SQUARE FLOOR SINK WITH 10" DEEP SUMP, A.R.E. INTERIOR, PLASTIC DOME BOTTOM STRAINER, CLAMP DEVICE AND A.R.E. TOP WITH LOOSE SET 1/2 GRATE.



OUTLETS

Suffix	Description
<input type="checkbox"/> NH	NO-HUB (3, 4, 6")
<input type="checkbox"/> TY	TY-SEAL
<input type="checkbox"/> IC	INSIDE CAULK (3, 4")

OPTIONS

Cat. No.	Pipe Size	Wt. Lbs.
<input type="checkbox"/> 9152-15-26-64	2 (50)	47.0
<input type="checkbox"/> 9153-15-26-64	3 (75)	47.0
<input type="checkbox"/> 9154-15-26-64	4 (100)	47.0
<input type="checkbox"/> 9156-15-26-64	6 (150)	48.0

Suffix	Description
<input type="checkbox"/> 6	TRAP PRIMER CONNECTION (1/2" NPT)
<input type="checkbox"/> 27	ALUMINUM SEDIMENT BUCKET

NOTE: TY-SEAL OUTLETS WILL ACCOMODATE IPS PIPE SIZES IN 2", 3" & 4" ONLY. (PLASTIC, STEEL, ETC.)

AutoCad.dwg