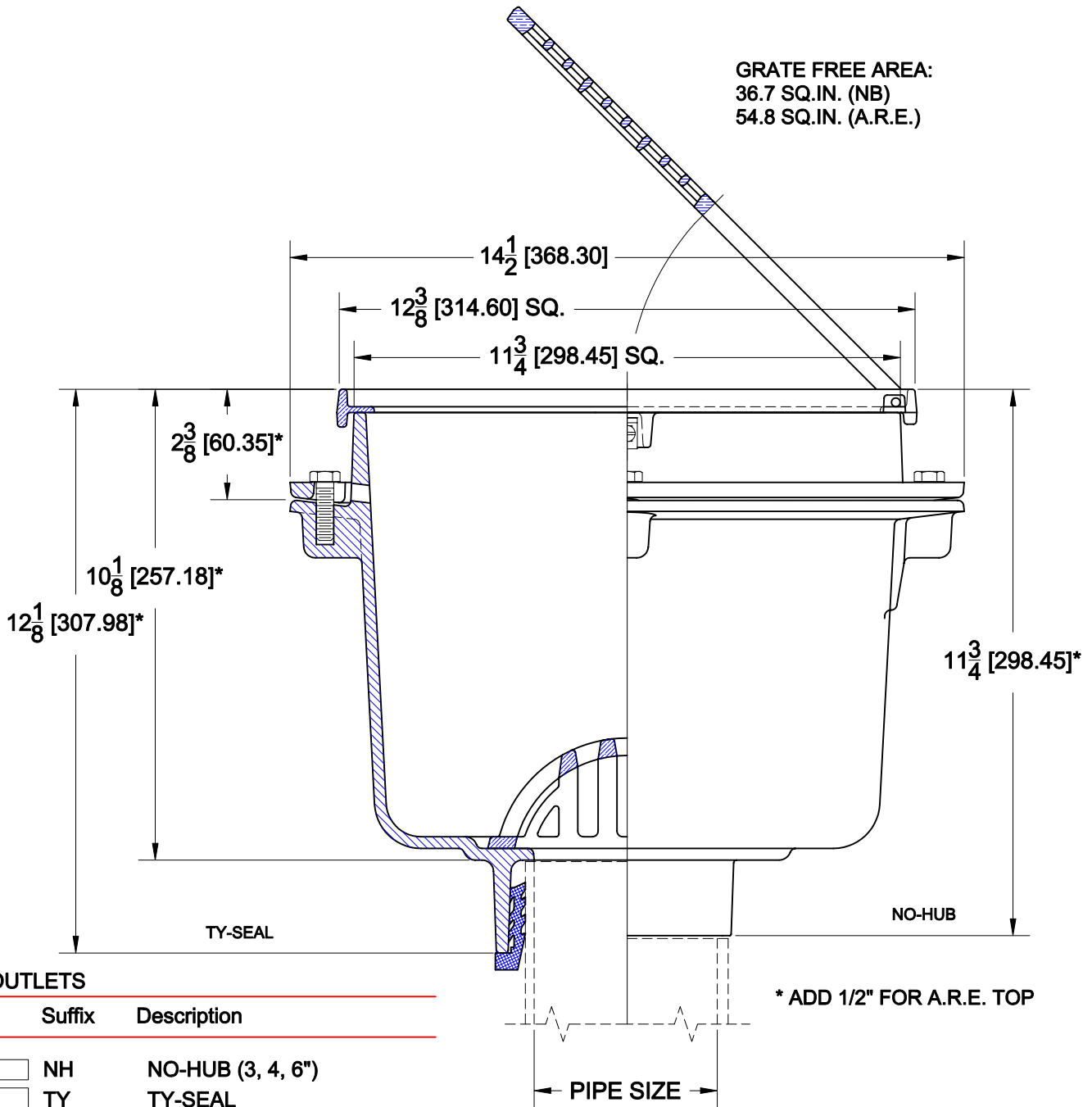


# FLOOR SINKS - SQUARE



9150

CAST IRON 12" SQUARE FLOOR SINK WITH 10" DEEP SUMP, A.R.E. INTERIOR, ALUMINUM DOME BOTTOM STRAINER AND NICKEL BRONZE TOP WITH HINGED GRATE.



## OUTLETS

Suffix	Description
NH	NO-HUB (3, 4, 6")
TY	TY-SEAL
IC	INSIDE CAULK (3, 4")

## OPTIONS

Cat. No.	Pipe Size	Wt. Lbs.	Suffix	Description
9152	2 (50)	47.0	6	TRAP PRIMER CONNECTION (1/2" NPT)
9153	3 (75)	47.0	15	HALF GRATE
9154	4 (100)	47.0	16	THREE QUARTER GRATE
9156	6 (150)	48.0	26	CLAMP DEVICE
			27	ALUMINUM SEDIMENT BUCKET
			64	A.R.E. CAST IRON TOP

NOTE: TY-SEAL OUTLETS WILL ACCOMODATE IPS PIPE SIZES IN 2", 3" & 4" ONLY. (PLASTIC, STEEL, ETC.)

AutoCad.dwg