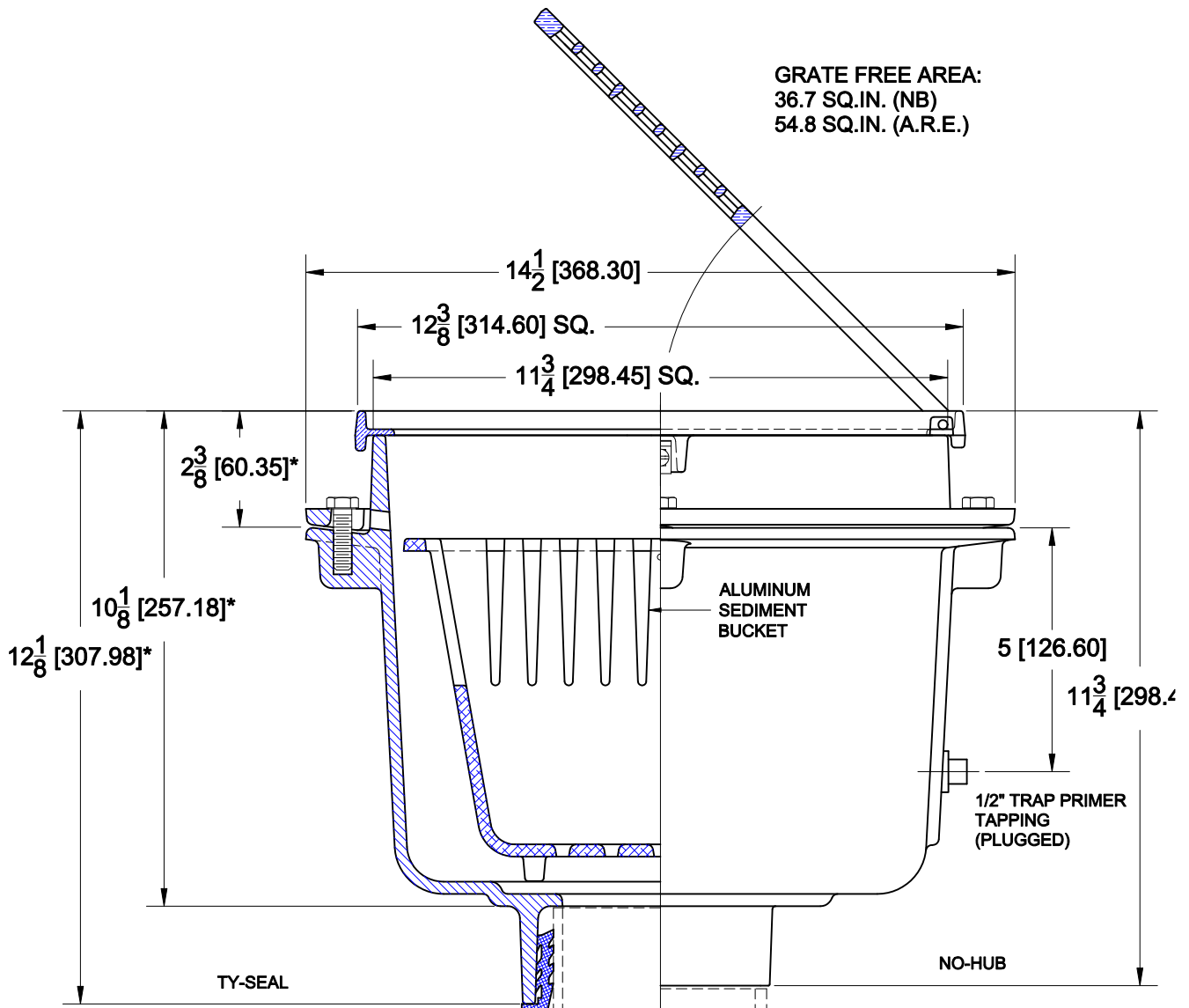


FLOOR SINKS - SQUARE



9150-1-6-27

CAST IRON 12" SQUARE FLOOR SINK WITH 10" DEEP SUMP, A.R.E. INTERIOR, ALUMINUM SEDIMENT BUCKET, 1/2" TRAP PRIMER CONNECTION (PLUGGED) AND NICKEL BRONZE TOP WITH HINGED GRATE.



GRATE FREE AREA:
36.7 SQ.IN. (NB)
54.8 SQ.IN. (A.R.E.)

* ADD 1/2" FOR A.R.E. TOP

OUTLETS

Suffix	Description
NH	NO-HUB (3, 4, 6")
TY	TY-SEAL
IC	INSIDE CAULK (3, 4")

PIPE SIZE

OPTIONS

Cat. No.	Pipe Size	Wt. Lbs.	Suffix	Description
9152-1-6-27	2 (50)	47.0	15	HALF GRATE
9153-1-6-27	3 (75)	47.0	16	THREE QUARTER GRATE
9154-1-6-27	4 (100)	47.0	26	CLAMP DEVICE
9156-1-6-27	6 (150)	48.0		

NOTE: TY-SEAL OUTLETS WILL ACCOMODATE IPS PIPE SIZES IN 2", 3" & 4" ONLY. (PLASTIC, STEEL, ETC.)

AutoCad.dwg