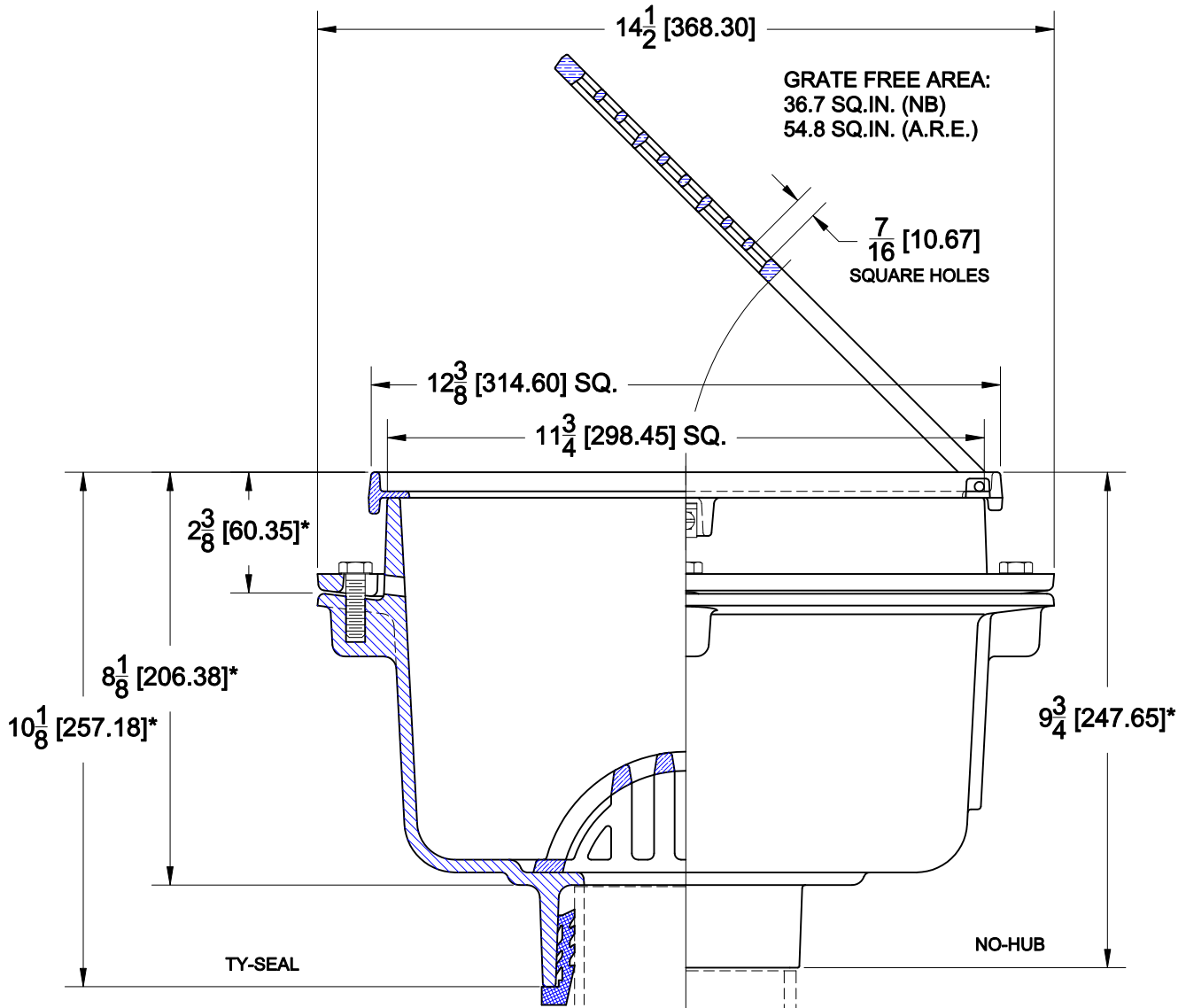


FLOOR SINKS - SQUARE



9140

CAST IRON 12" SQUARE FLOOR SINK WITH 8" DEEP SUMP, A.R.E. INTERIOR, ALUMINUM DOME BOTTOM STRAINER AND NICKEL BRONZE TOP WITH HINGED GRATE.



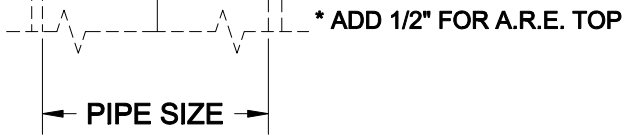
OUTLETS

Suffix	Description
--------	-------------

- NH NO-HUB (3, 4, 6")
- TY TY-SEAL
- IC INSIDE CAULK (3, 4")

Cat. No.	Pipe Size	Wt. Lbs.
<input type="checkbox"/> 9142	2 (50)	47.0
<input type="checkbox"/> 9143	3 (75)	47.0
<input type="checkbox"/> 9144	4 (100)	47.0
<input type="checkbox"/> 9146	6 (150)	48.0

NOTE: TY-SEAL OUTLETS WILL ACCOMODATE IPS PIPE SIZES IN 2", 3" & 4" ONLY. (PLASTIC, STEEL, ETC.)



OPTIONS

Suffix	Description
<input type="checkbox"/> 6	TRAP PRIMER CONNECTION (1/2" NPT)
<input type="checkbox"/> 15	HALF GRATE
<input type="checkbox"/> 16	THREE QUARTER GRATE
<input type="checkbox"/> 26	CLAMP DEVICE
<input type="checkbox"/> 27	ALUMINUM SEDIMENT BUCKET
<input type="checkbox"/> 64	A.R.E. CAST IRON TOP
<input type="checkbox"/> 123	STAINLESS STEEL MESH LINED BUCKET

AutoCad.dwg