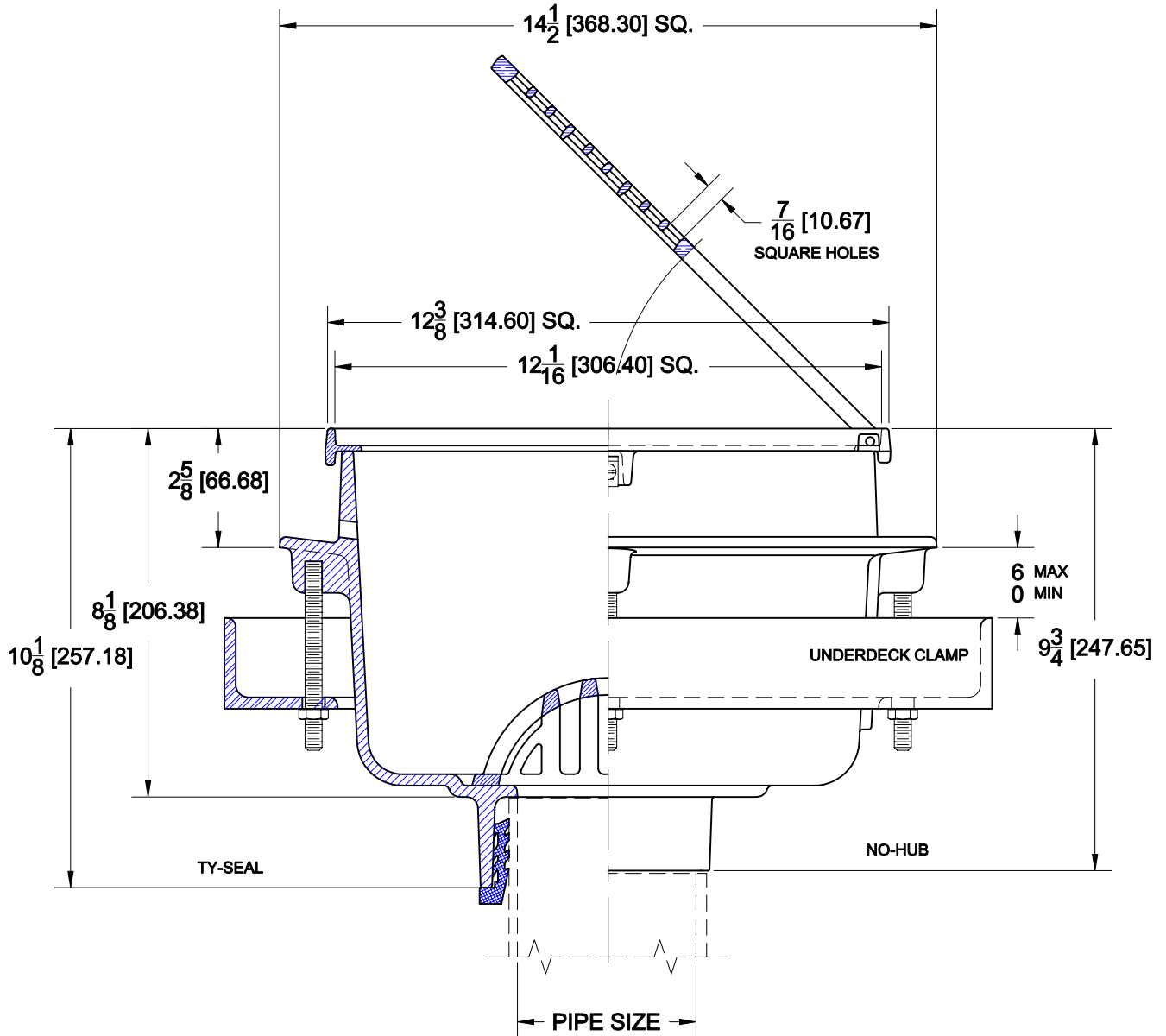


# SQUARE FLOOR SINK



9140-53

CAST IRON FLOOR SINK WITH ACID RESISTANT ENAMEL INTERIOR, ALUMINUM DOME BOTTOM STRAINER, BOTTOM OUTLET, NICKEL BRONZE RIM & GRATE AND UNDERDECK CLAMP.



## OPTIONS

Cat. No.	Pipe Size	Wt. Lbs.	Suffix	Description
<input type="checkbox"/> 9142-53	2 (50)	42.0	<input type="checkbox"/> 6	TRAP PRIMER TAP (1/2" NPT)
<input type="checkbox"/> 9143-53	3 (75)	42.0	<input type="checkbox"/> 15	HALF GRATE
<input type="checkbox"/> 9144-53	4 (100)	42.0	<input type="checkbox"/> 16	THREE QUARTER GRATE
<input type="checkbox"/> 9146-53	6 (150)	42.0	<input type="checkbox"/> 27	SEDIMENT BUCKET

## OUTLETS

TY TY-SEAL     NH NO-HUB     IC INSIDE CAULK   

AutoCad.dwg