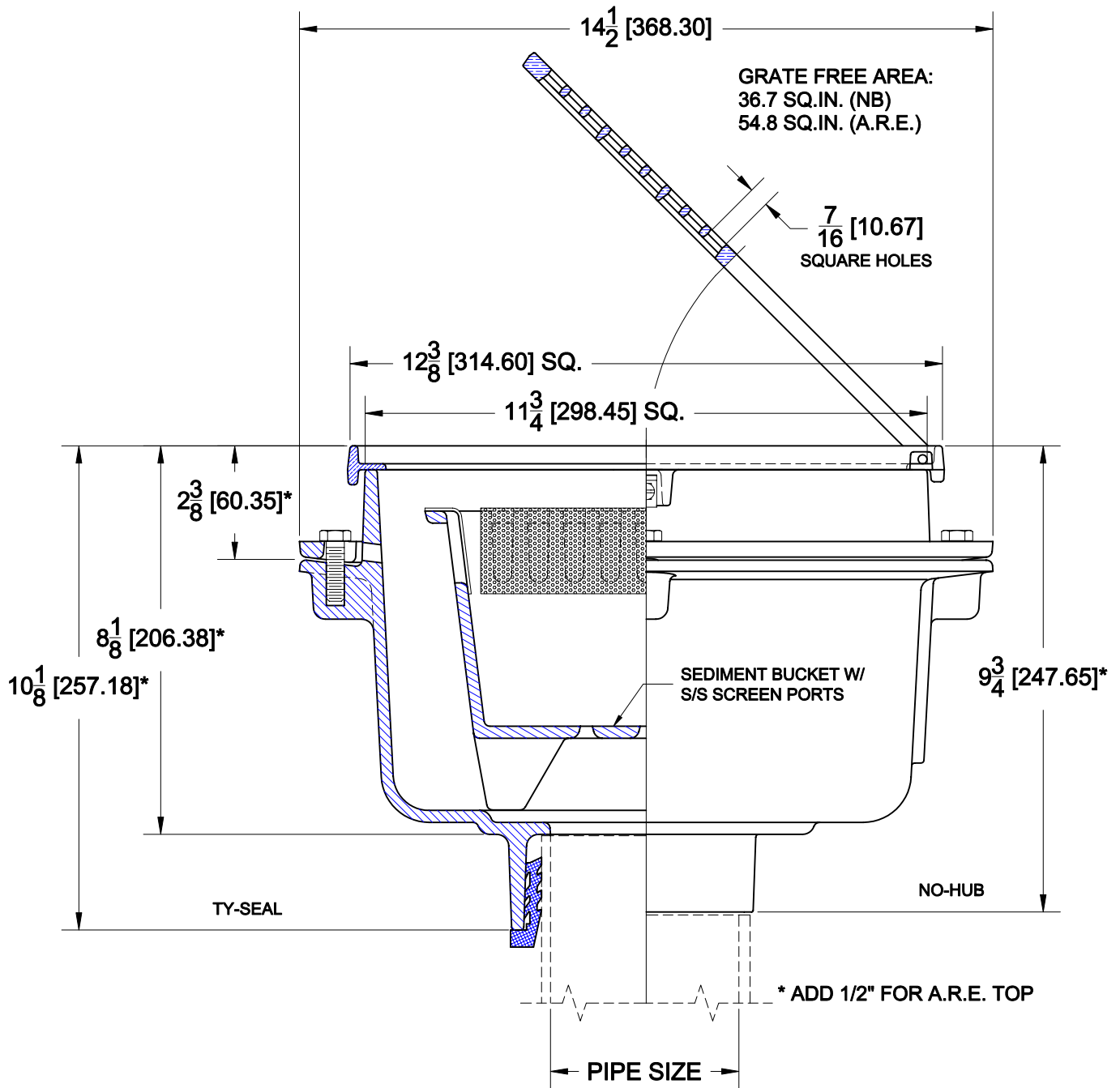


# FLOOR SINKS - SQUARE



9140-123

CAST IRON 12" SQUARE FLOOR SINK WITH 8" DEEP SUMP, A.R.E. INTERIOR, CLAMP DEVICE, ALUMINUM BUCKET W/ PERFORATED S/S PORTS AND NICKEL BRONZE TOP WITH HINGED GRATE.



## OUTLETS

Cat. No.	Pipe Size	Wt. Lbs.	Suffix	Description
<input type="checkbox"/> 9142-123	2 (50)	47.0	<input type="checkbox"/> NH	NO-HUB (3, 4, 6")
<input type="checkbox"/> 9143-123	3 (75)	47.0	<input type="checkbox"/> TY	TY-SEAL
<input type="checkbox"/> 9144-123	4 (100)	47.0	<input type="checkbox"/> IC	INSIDE CAULK (3, 4")
<input type="checkbox"/> 9146-123	6 (150)	48.0		

NOTE: TY-SEAL OUTLETS WILL ACCOMODATE IPS PIPE SIZES IN 2", 3" & 4" ONLY. (PLASTIC, STEEL, ETC.)

AutoCad.dwg