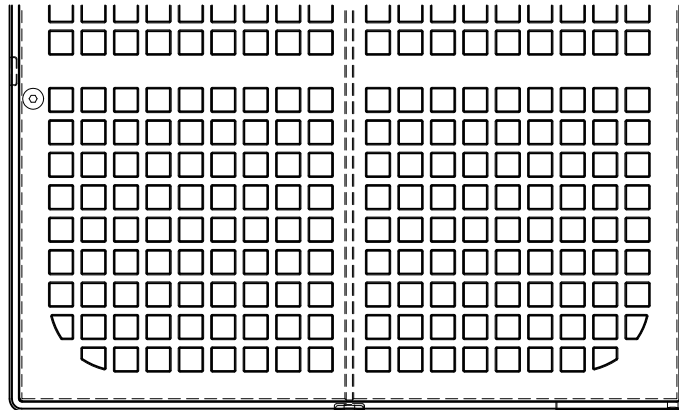


FLOOR SINKS - SQUARE

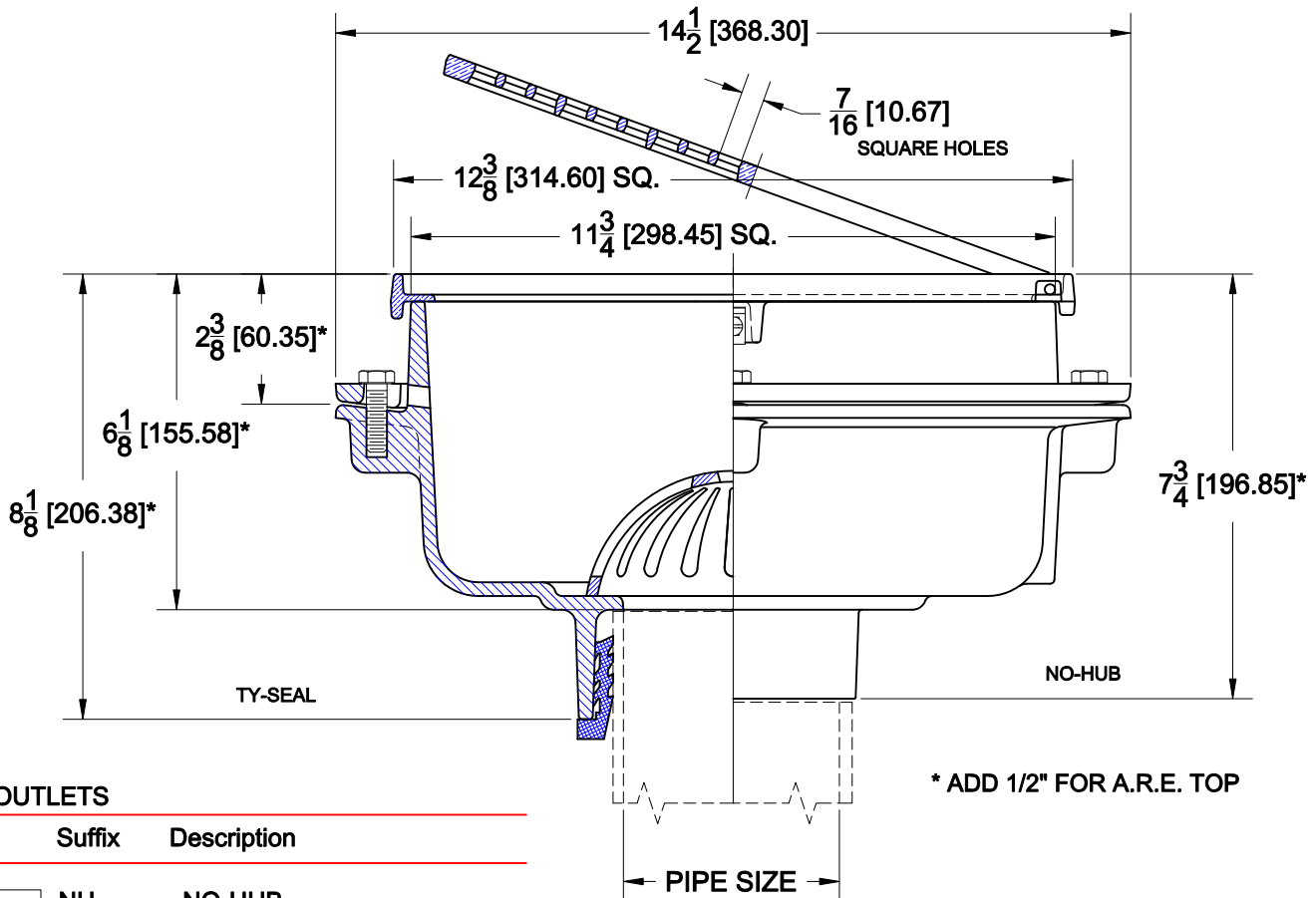


9130

CAST IRON 12" SQUARE FLOOR SINK WITH 6" DEEP SUMP, A.R.E. INTERIOR, PLASTIC DOME BOTTOM STRAINER AND SATIN FINISH NICKEL BRONZE TOP WITH HINGED GRATE.



FREE AREA = 55.36 SQ.IN.



OUTLETS

Suffix	Description
NH	NO-HUB
TY	TY-SEAL

OPTIONS

Cat. No.	Pipe Size	Wt. Lbs.	Suffix	Description
9133	3 (75)	47.0	6	TRAP PRIMER CONNECTION (1/2" NPT)
9134	4 (100)	47.0	15	HALF GRATE
			16	THREE QUARTER GRATE
			26	CLAMP DEVICE
			27	ALUMINUM SEDIMENT BUCKET
			64	A.R.E. CAST IRON TOP

NOTE: TY-SEAL OUTLETS WILL ACCOMODATE IPS PIPE SIZES IN 3" & 4". (PLASTIC, STEEL, ETC.)

AutoCad.dwg