

# WOOD DECK DRAIN



Approval Date

Customer Approval

Job Location

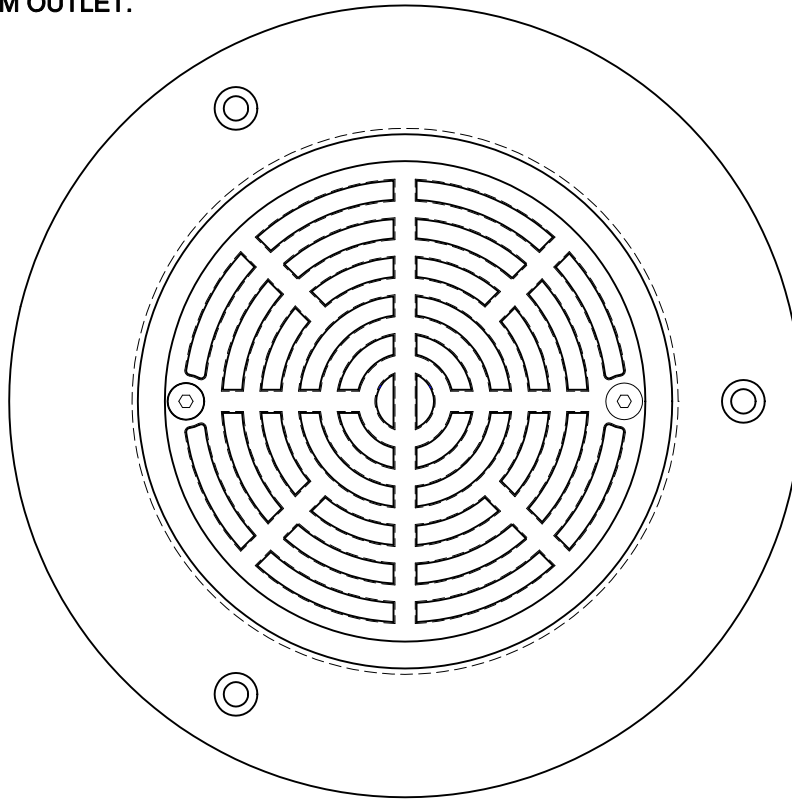
Job Name

Wade Division / Tyler Pipe Assumes No Responsibility For Superseded or Voided Data

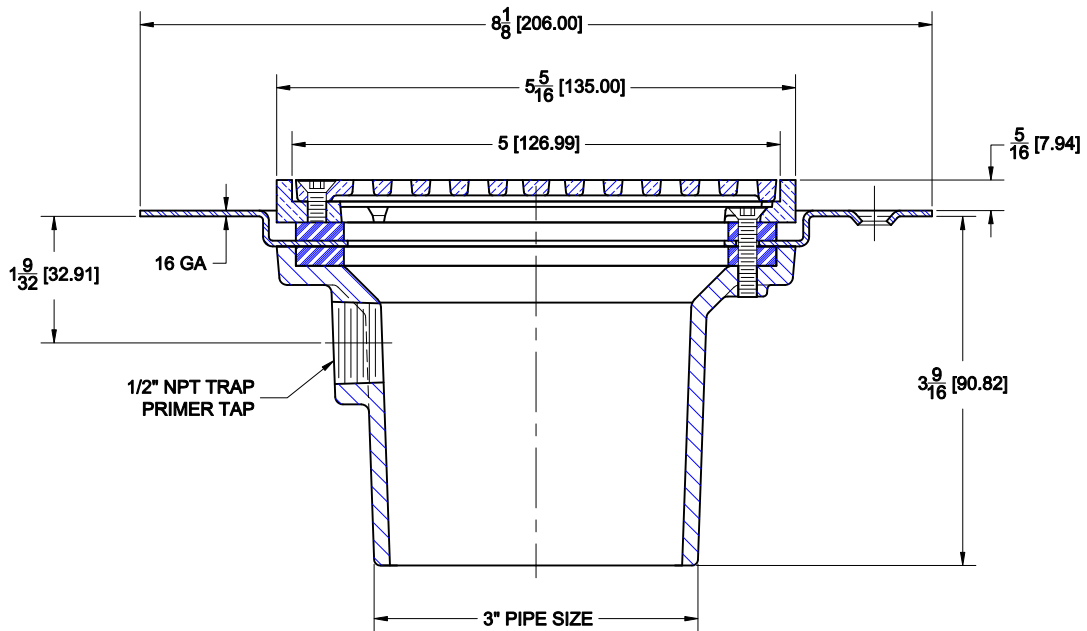
Dimensional Data (Inches/mm) are Subject to Manufacturers Tolerance and Change Without Notice.

913DG-1-6

CAST IRON WOOD DECK DRAIN WITH POWDER COATED STEEL ANCHOR FLANGE, DOUBLE NEOPRENE GASKETS, 1/2" TRAP PRIMER TAP (PLUGGED), SATIN FINISH NICKEL BRONZE FRAME & GRATE AND 3" NO-HUB BOTTOM OUTLET.



GRATE FREE AREA = 6.92 SQ.IN.



**OPTIONS**

Suffix	Description
39	GALVANIZED IRON PARTS
64	A.R.E. COATED IRON PARTS

AutoCad.dwg