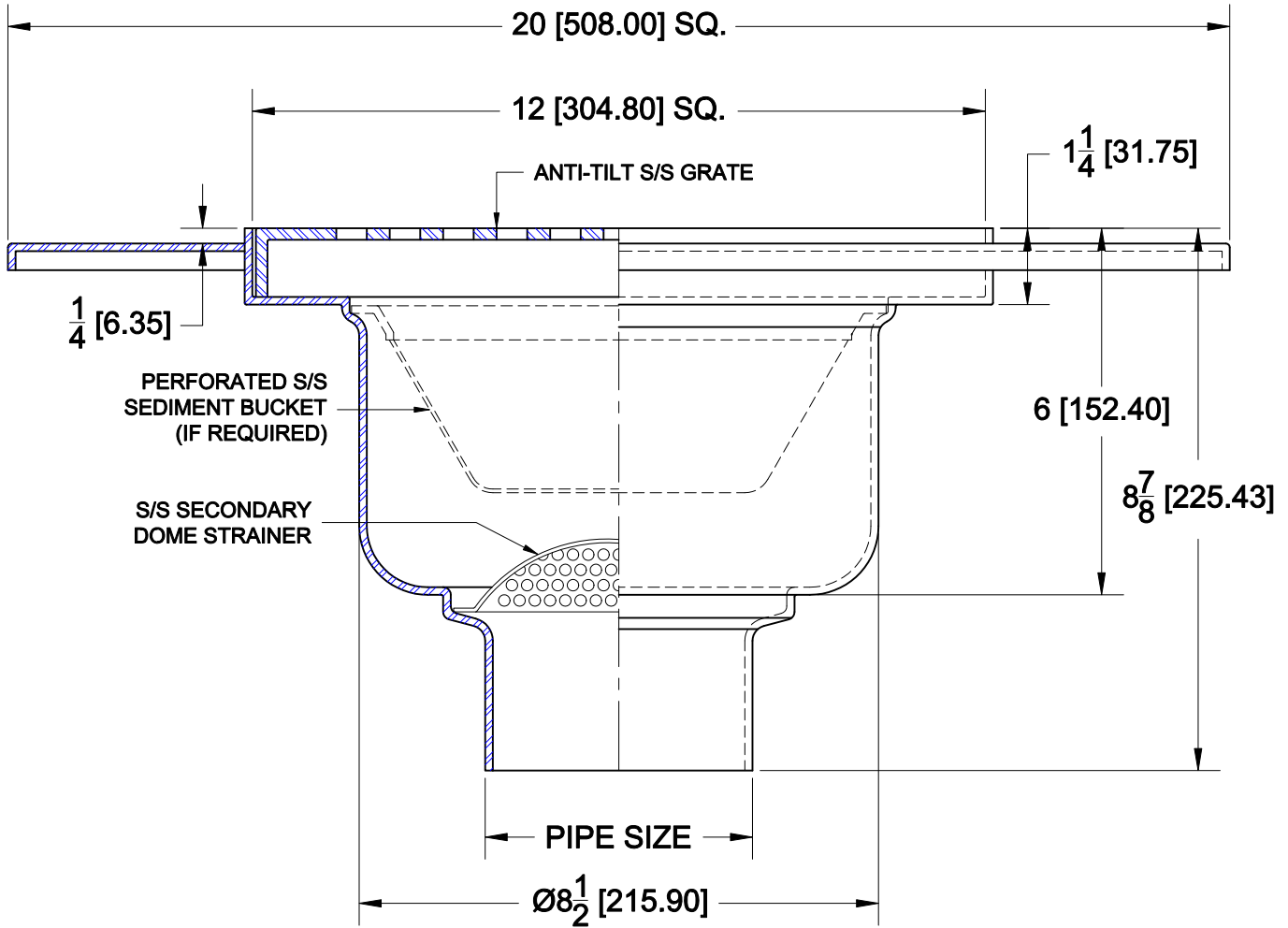


# FLOOR SINKS - STAINLESS STEEL **WADE**

9100-E-9

STAINLESS STEEL 12" SQUARE FLOOR SINK WITH NON-TILT S/S GRATE, 6" DEEP ROUND SUMP, WIDE LATEX TROWELING FLANGE, PERFORATED SECONDARY DOME STRAINER & BOTTOM OUTLET.



|                                   |           |             | OPTIONS                      |                                 |
|-----------------------------------|-----------|-------------|------------------------------|---------------------------------|
| Cat. No.                          | Pipe Size | Wt. Lbs.    | Suffix                       | Description                     |
| <input type="checkbox"/> 9102-E-9 | 2 (50)    | 13.0        | <input type="checkbox"/> 15  | HALF GRATE                      |
| <input type="checkbox"/> 9103-E-9 | 3 (75)    | 13.0        | <input type="checkbox"/> 16  | THREE-QUARTER GRATE             |
| <input type="checkbox"/> 9104-E-9 | 4 (100)   | 13.0        | <input type="checkbox"/> 18  | SOLID COVER                     |
| <input type="checkbox"/> 9106-E-9 | 6 (100)   | 13.0        | <input type="checkbox"/> 27  | SEDIMENT BASKET                 |
| <b>OUTLETS</b>                    |           |             | <input type="checkbox"/> 20  | DEPRESSED GRATE                 |
|                                   | Suffix    | Description | <input type="checkbox"/> 155 | XH BAR GRATE (7,500-10,000 LBS) |
| <input type="checkbox"/> NH       | NO-HUB    |             |                              |                                 |
| <input type="checkbox"/> TY       | TY-SEAL   |             |                              |                                 |

AutoCad.dwg