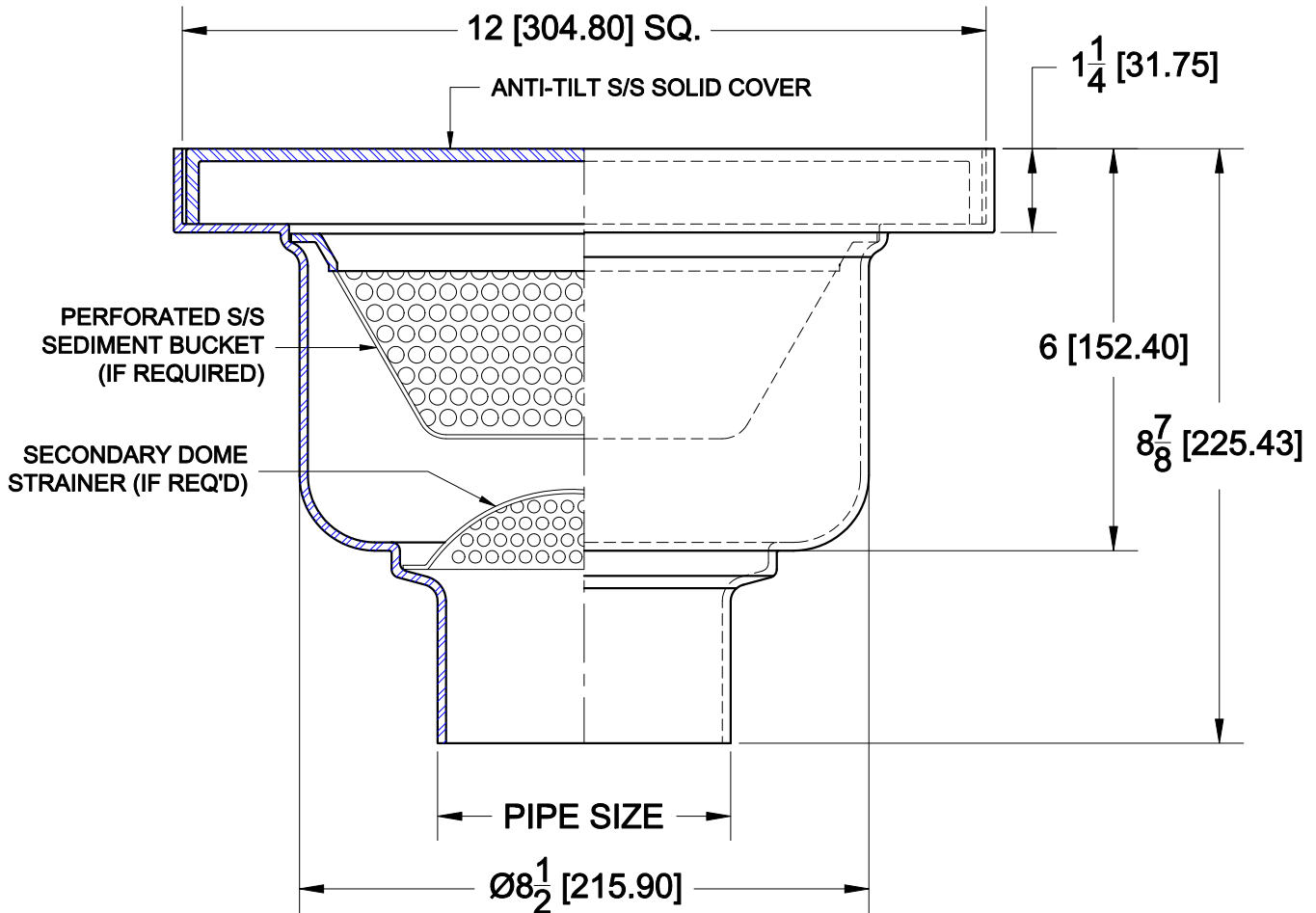


FLOOR SINKS - STAINLESS STEEL



9100-18

TYPE 304 STAINLESS STEEL 12" SQUARE FLOOR SINK WITH NON-TILT S/S SOLID COVER, 6" DEEP ROUND SUMP & BOTTOM OUTLET.



OPTIONS

Cat. No.	Pipe Size	Wt. Lbs.	Suffix	Description
<input type="checkbox"/> 9102-18	2 (50)	13.0	<input type="checkbox"/> 9	SECONDARY DOME STRAINER
<input type="checkbox"/> 9103-18	3 (75)	13.0	<input type="checkbox"/> 15	HALF COVER
<input type="checkbox"/> 9104-18	4 (100)	13.0	<input type="checkbox"/> 16	THREE-QUARTER COVER
<input type="checkbox"/> 9106-18	6 (100)	13.0	<input type="checkbox"/> XH	EXTRA HEAVY COVER (7,500-10,000 LBS)

OUTLETS

Suffix	Description
<input type="checkbox"/> NH	NO-HUB
<input type="checkbox"/> TY	TY-SEAL

AutoCad.dwg