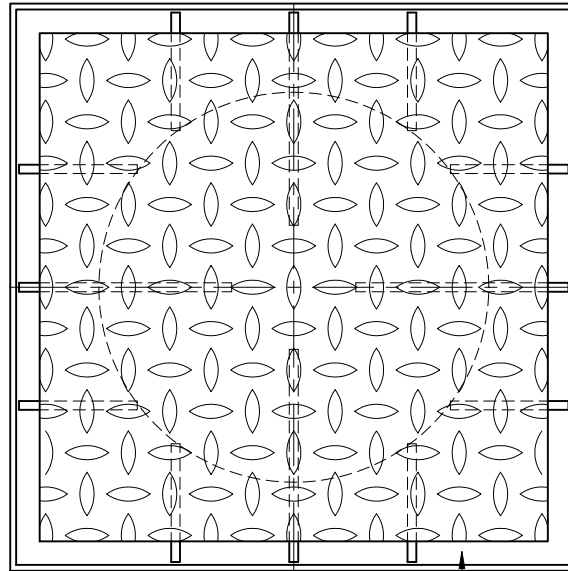


# FLOOR SINKS - STAINLESS STEEL

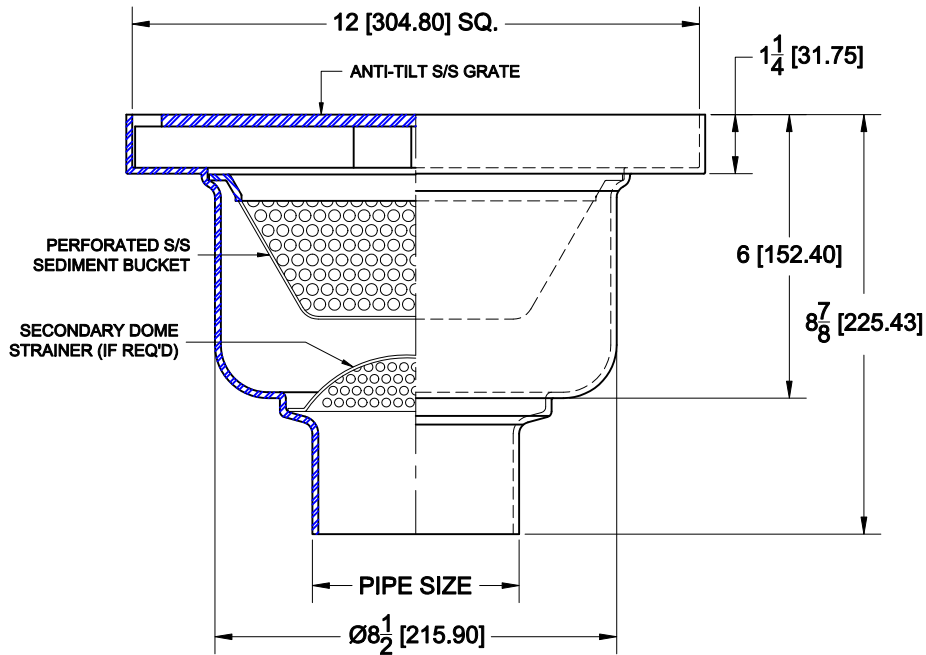


## 9100-114 (TREAD PLATE)

STAINLESS STEEL 12" SQUARE FLOOR SINK WITH NON-TILT SOLID ANTI-TILT COVER, 6" DEEP ROUND SUMP, SEDIMENT BUCKET & BOTTOM OUTLET.



PERIMETER DRAINAGE



### OPTIONS

Cat. No.	Pipe Size	Wt. Lbs.	Suffix	Description
<input type="checkbox"/> 9102-27-114	2 (50)	16.0	<input type="checkbox"/> 8	SECONDARY STRAINER
<input type="checkbox"/> 9103-27-114	3 (75)	16.0	<input type="checkbox"/> 15	HALF GRATE
<input type="checkbox"/> 9104-27-114	4 (100)	16.0	<input type="checkbox"/> 16	THREE-QUARTER GRATE
<input type="checkbox"/> 9106-27-114	6 (100)	16.0	<input type="checkbox"/> 31	BACKWATER VALVE
			<input type="checkbox"/> SC	SMOOTH COVER (IN LIEU OF TREAD PLT)

### OUTLETS

Suffix	Description
<input type="checkbox"/> NH	NO-HUB
<input type="checkbox"/> TY	TY-SEAL

AutoCad.dwg