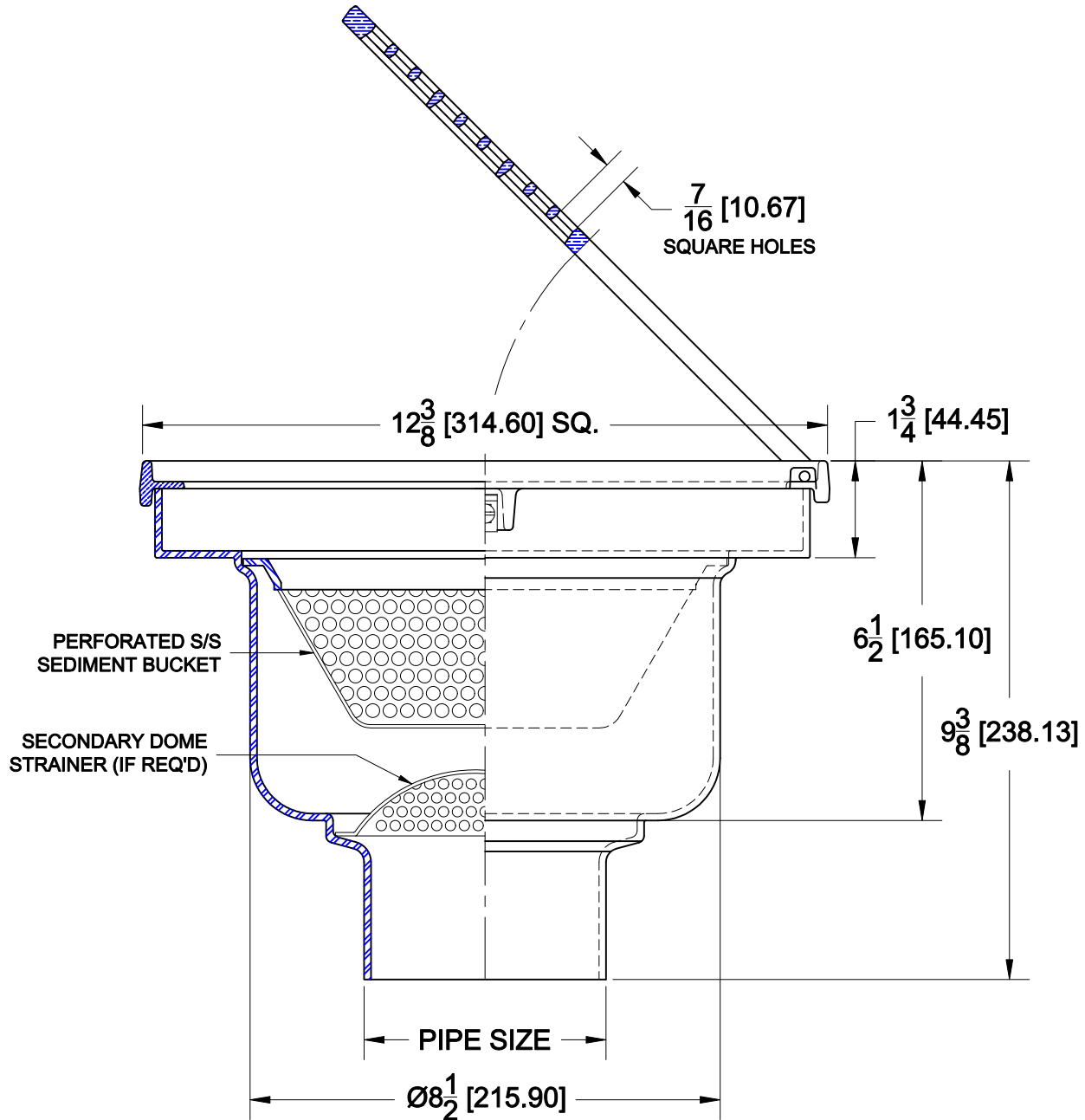


FLOOR SINKS - STAINLESS STEEL



9100-1

STAINLESS STEEL 12" SQUARE FLOOR SINK WITH HINGED NICKEL BRONZE TOP, 6" DEEP ROUND SUMP, PERFORATED SEDIMENT BUCKET & BOTTOM OUTLET.



OPTIONS

Cat. No.	Pipe Size	Wt. Lbs.	Suffix	Description
<input type="checkbox"/> 9102-1	2 (50)	13.0	<input type="checkbox"/> 9	SECONDARY DOME STRAINER
<input type="checkbox"/> 9103-1	3 (75)	13.0	<input type="checkbox"/> 15	HALF GRATE
<input type="checkbox"/> 9104-1	4 (100)	13.0	<input type="checkbox"/> 16	THREE-QUARTER GRATE
<input type="checkbox"/> 9106-1	6 (100)	13.0	<input type="checkbox"/> 18	SOLID COVER
			<input type="checkbox"/> 26	FLANGE & CLAMP DEVICE

OUTLETS

Suffix	Description
--------	-------------

- NH NO-HUB
- TY TY-SEAL

ANSI LOAD RATING - LD LIGHT DUTY (UNDER 2,000 LBS)

AutoCad.dwg