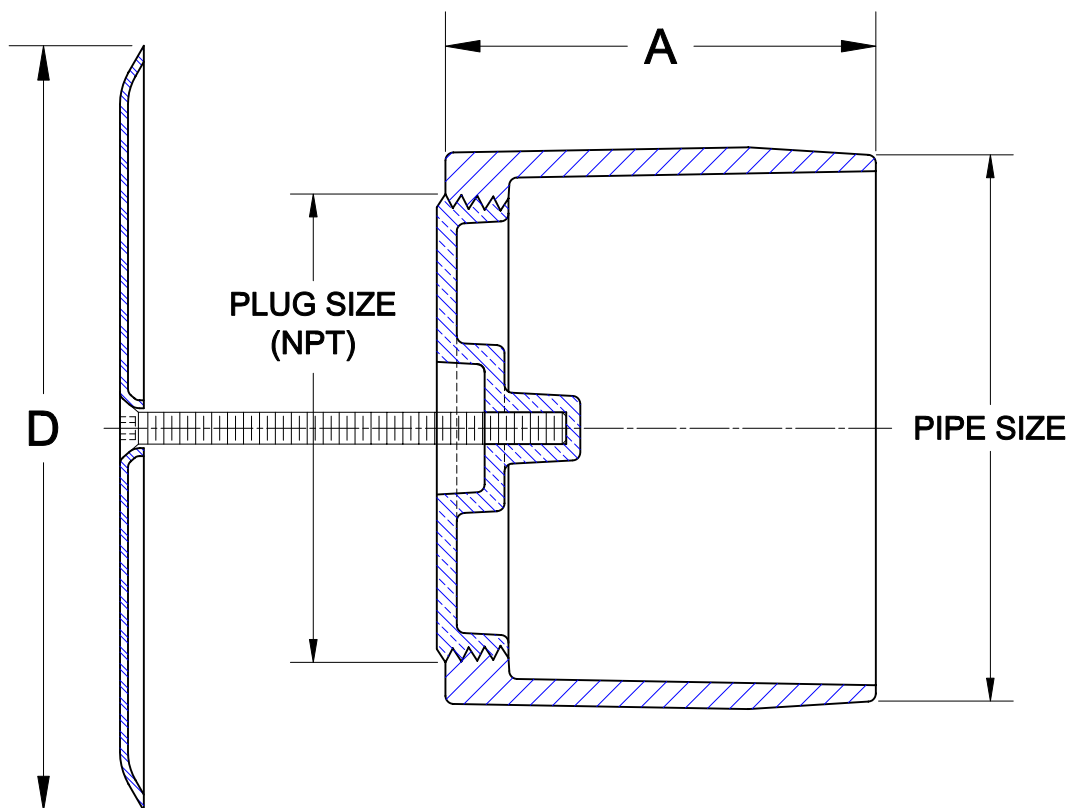


WALL CLEANOUT



8550-R

CAST IRON CLEANOUT FERRULE WITH NPT THREADED BRASS PLUG WITH COUNTERSUNK HEAD AND S/S ACCESS COVER.



PIPE SIZE	PLUG SIZE	A	D
2 (50)	1 1/2 (38)	2 3/4 (69.8)	6 (152.4)
3 (75)	2 1/2 (63)	3 (76.2)	6 (152.4)
4 (100)	3 1/2 (90)	3 1/4 (82.5)	6 (152.4)
5 (125)	4 (100)	4 3/8 (111.1)	8 (203.2)
6 (150)	5 (125)	4 1/2 (114.3)	8 (203.2)
8 (200)	6 (150)	4 5/8 (117.4)	8 (203.2)

Cat. No.	Pipe Size	Wt. Lbs.
8552-R	2 (50)	1.5
8553-R	3 (75)	2.5
8554-R	4 (100)	4.0
8555-R	5 (125)	6.0
8556-R	6 (150)	9.0
8558-R	8 (200)	10.5

AutoCad.dwg