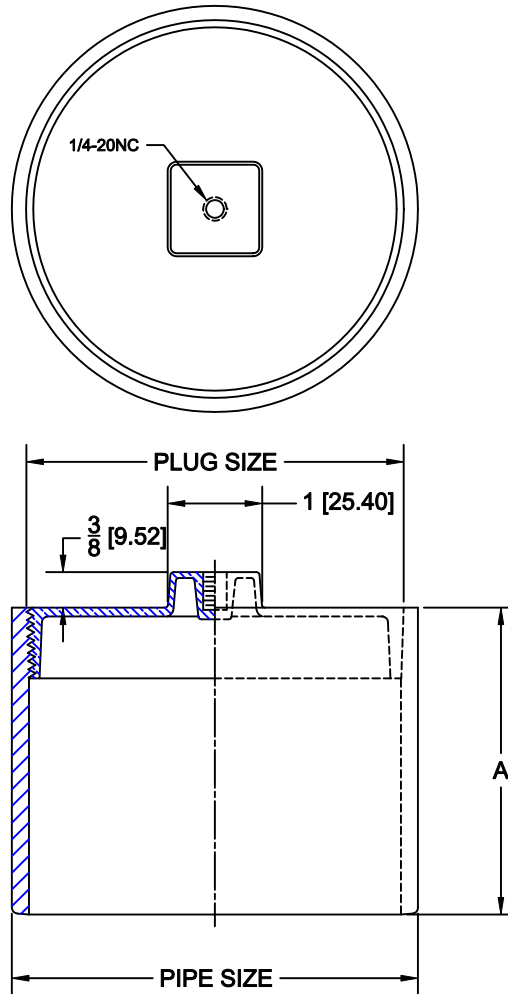


CLEANOUT FERRULE WITH PLUG



8550-B

CAST IRON CLEANOUT FERRULE WITH NPT THREADED BRASS RAISED HEAD PLUG.
(PLUG DRILLED & TAPPED 1/4-20NC)



PIPE SIZE	PLUG SIZE	A
2 (50)	1 1/2 (38)	2 3/4 (69.8)
3 (75)	2 1/2 (63)	3 (76.2)
4 (100)	3 1/2 (90)	3 1/4 (82.5)
5 (125)	4 (100)	4 3/8 (111.1)
6 (150)	5 (125)	4 1/2 (114.3)
8 (200)	6 (150)	4 5/8 (117.4)

Cat. No.	Pipe Size	Wt. Lbs.
8552-B	2 (50)	1.5
8553-B	3 (75)	2.5
8554-B	4 (100)	4.0
8555-B	5 (125)	6.0
8556-B	6 (150)	9.0
8558-B	8 (200)	10.5

AutoCad.dwg