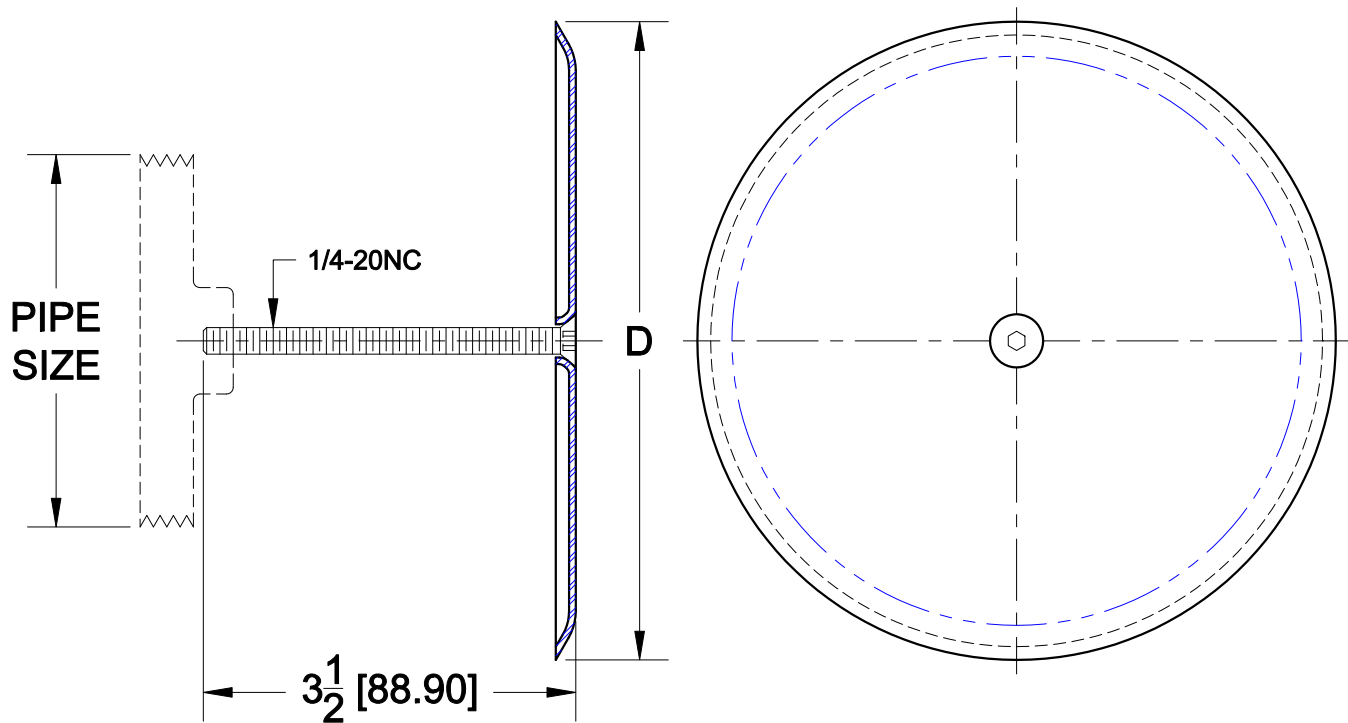


Wall Access Cover



8480-R

Round stainless steel access cover with 1/4-20NC vandal proof center securing screw (3 1/2" long)



OPTIONS

Cat. No.	D	Pipe Size	Wt. Lbs.	Suffix	Description
<input type="checkbox"/> 8480-R6	6" (150)	1 1/2 to 3 1/2" (38 to 90)	.50	<input type="checkbox"/> 179	Security Screw (Pin Allen Head)
<input type="checkbox"/> 8480-R8	8" (200)	4 to 6" (100 to 150)	.75	<input type="checkbox"/> PAW	Wrench MD1503 for Above Screw
<input type="checkbox"/> 8480-R10	10" (250)	8" (200)	.75		

AutoCad.dwg