

FLOOR ACCESS HOUSING



Approval Date

Customer Approval

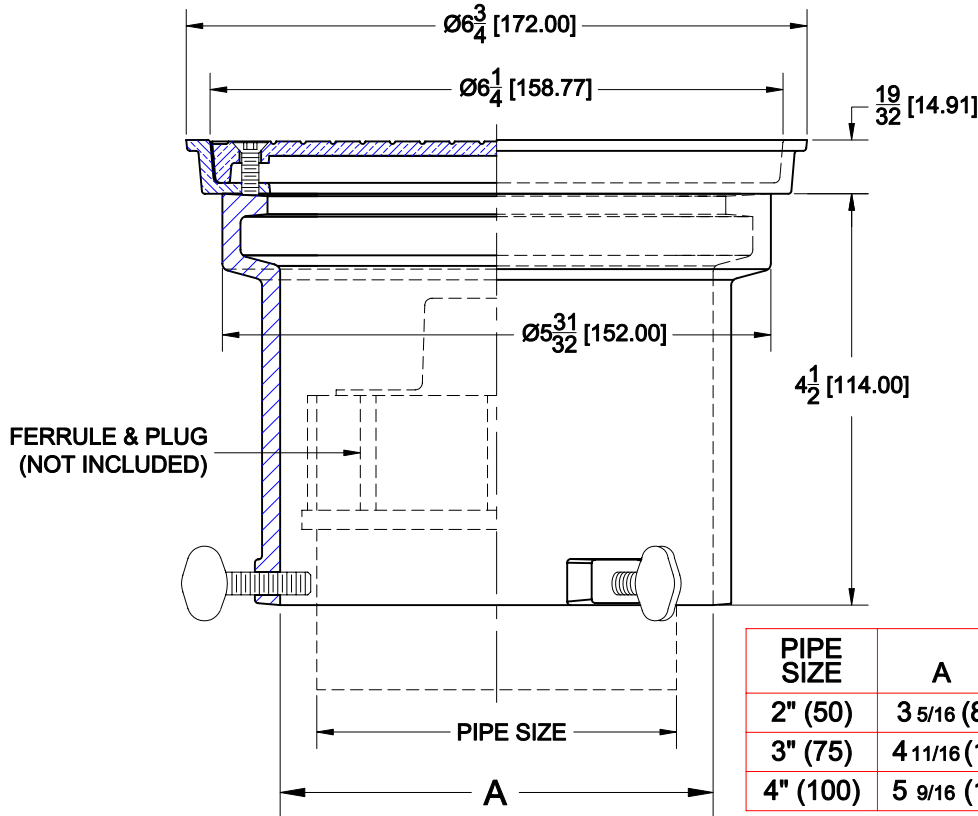
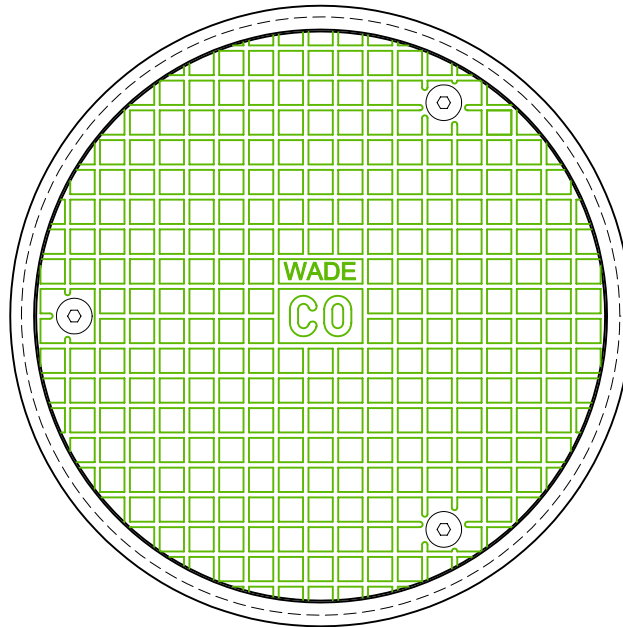
Job Location

Job Name

Wade Division / Tyler Pipe Assumes No Responsibility For Superseded or Voided Data
 Dimensional Data (Inches/mm) are Subject to Manufacturers Tolerance and Change Without Notice.

8400

CAST IRON ACCESS HOUSING WITH ROUND SATIN FINISH NICKEL BRONZE FRAME / SCORIATED COVER AND ADJUSTING THUMB SCREWS
 ANSI LOAD RATING - LD (UNDER 2,000 LBS)



OPTIONS

Cat. No.	Pipe Size	Wt. Lbs.	Suffix	Description
<input type="checkbox"/> 8402	2 (50)	5.3	<input type="checkbox"/> 39	GALVANIZED IRON PARTS
<input type="checkbox"/> 8403	3 (75)	5.7	<input type="checkbox"/> 72	CARPET MARKER
<input type="checkbox"/> 8404	4 (100)	6.2	<input type="checkbox"/> 179	SECURITY SCREWS