

# FLOOR ACCESS HOUSING



Approval Date

Customer Approval

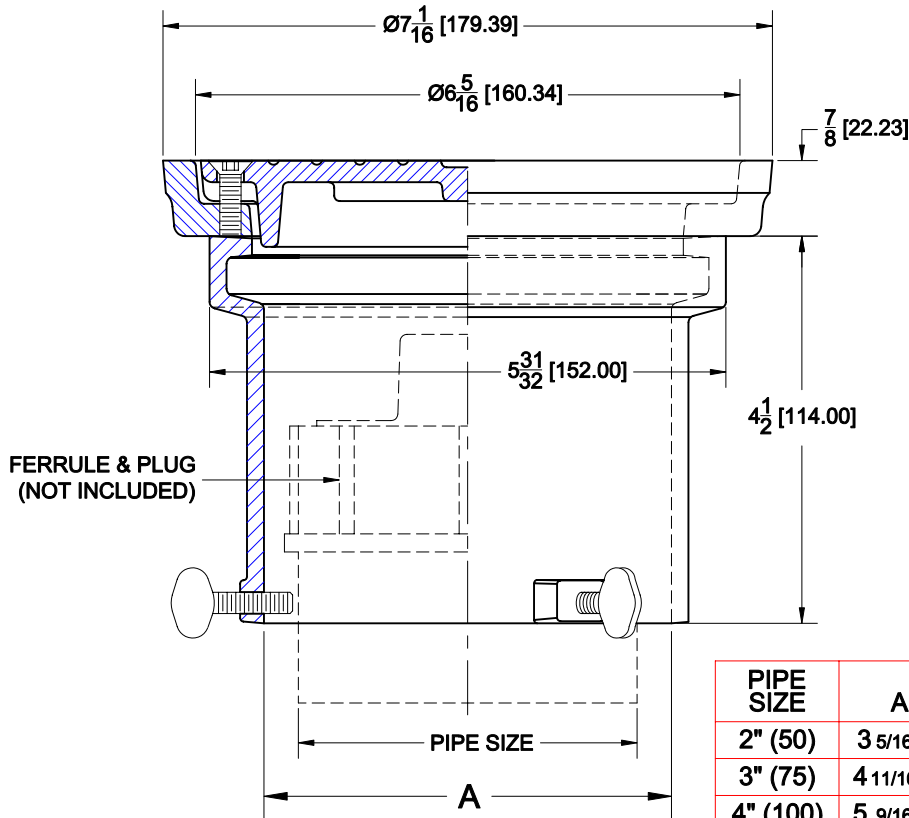
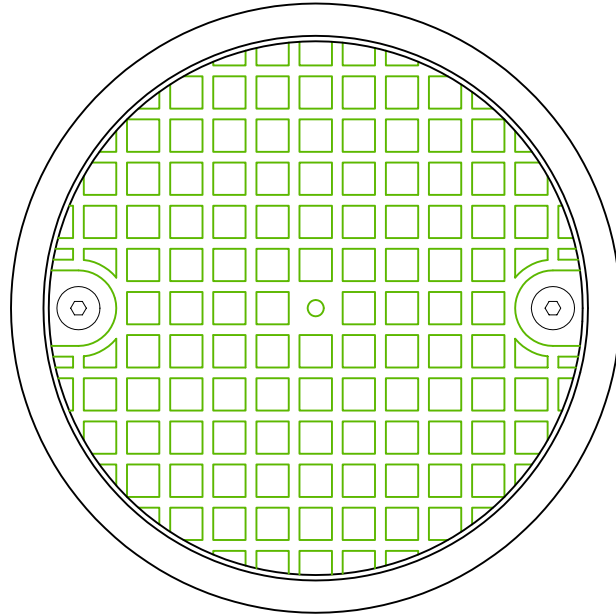
Job Location

Job Name

Wade Division / Tyler Pipe Assumes No Responsibility For Superseded or Voided Data  
 Dimensional Data (Inches/mm) are Subject to Manufacturers Tolerance and Change Without Notice.

## 8400-Z

CAST IRON ACCESS HOUSING WITH ROUND DUCTILE IRON FRAME / TRACTOR STYLE SCORIATED COVER AND ADJUSTING THUMB SCREWS  
 ANSI LOAD RATING - SD (OVER 10,000 LBS)



FERRULE & PLUG  
(NOT INCLUDED)

PIPE SIZE	A
2" (50)	3 5/16 (85)
3" (75)	4 11/16 (120)
4" (100)	5 9/16 (142)

### OPTIONS

Cat. No.	Pipe Size	Wt. Lbs.	Suffix	Description
<input type="checkbox"/> 8402-Z	2 (50)	6.3	<input type="checkbox"/> 1	SATIN FINISH NICKEL BROZE VENEER
<input type="checkbox"/> 8403-Z	3 (75)	7.7	<input type="checkbox"/> 39	GALVANIZED IRON PARTS
<input type="checkbox"/> 8404-Z	4 (100)	7.9	<input type="checkbox"/> 72	CARPET MARKER
			<input type="checkbox"/> 179	SECURITY SCREWS

AutoCad.dwg