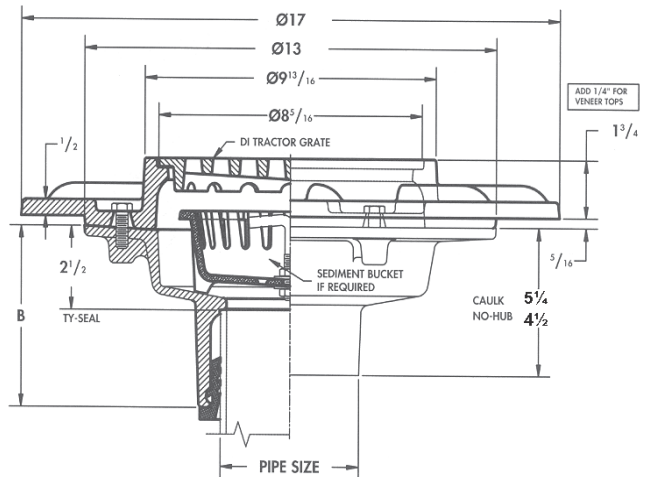
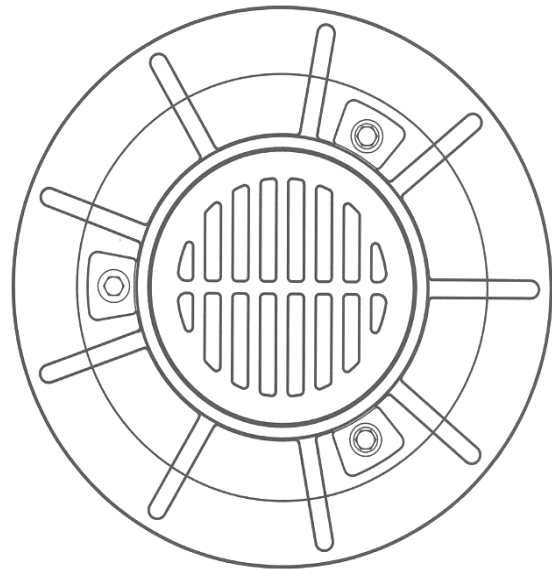


1310-PG

Painted cast iron parking deck floor drain with flange, loose set ductile iron tractor style slotted grate, heavy duty support flange, 1/2" trap primer connection.
ANSI load class XH - Extra Heavy Duty (7,500-10,000 Lbs.)
Grate Free Area = 18.3 Sq.In.



Cat. No.	Pipe Size	B Ty-Seal	Flow Rate (GPM)	Wt. Lbs.
1312-PG	2	5	30	40.0
1313-PG	3	5 1/4	50	40.0
1314-PG	4	5 1/2	80	40.0

OUTLET

- NH.....No-Hub
- TY.....Ty-seal
- IC.....Inside Caulk

OPTIONS

Suffix	Description
<input type="checkbox"/> 1	Nickel Bronze Veneer Top
<input type="checkbox"/> 5	Vandal Proof (Secured Grate)
<input type="checkbox"/> 7	Dome Grate (Cast Iron)
<input type="checkbox"/> 8	Flat Secondary Strainer
<input type="checkbox"/> 23	Grate Riser (1 1/2" High)
<input type="checkbox"/> 27	Sediment Bucket (Aluminum)
<input type="checkbox"/> 31	Backwater Valve
<input type="checkbox"/> 39	Galvanized Iron Parts
<input type="checkbox"/> 179	Security Screws