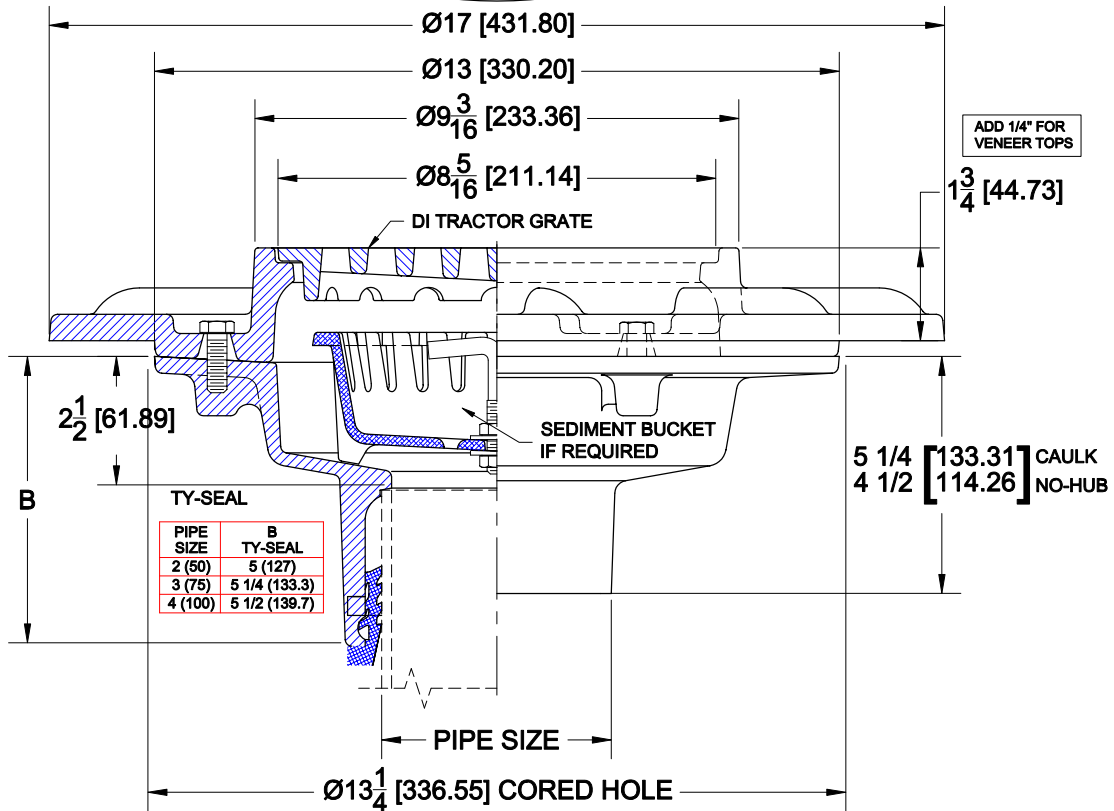
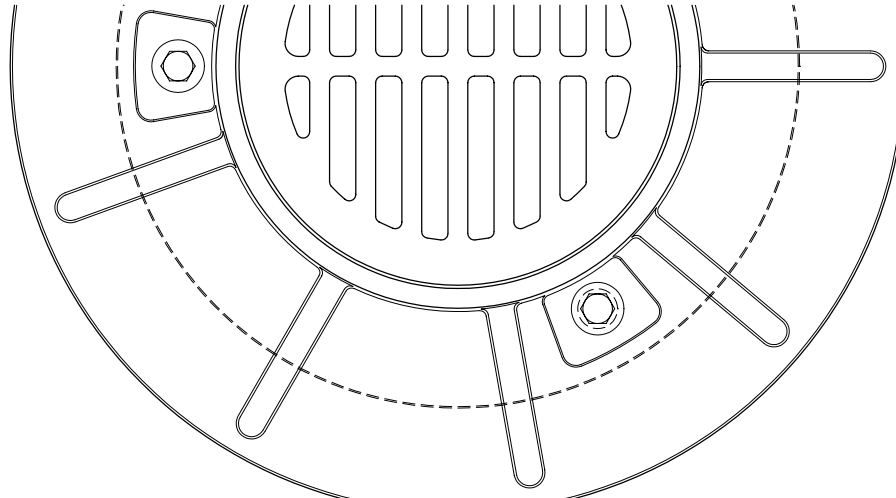


PARKING DECK DRAIN



1310-PG

PARKING DECK DRAINS ARE FOR INSTALLATION IN PRECAST CONSTRUCTION. WIDE HEAVY DUTY FLANGE ALLOWS SHALLOW CORE DRILLING OR BOXING OUT AND MAXIMUM STRENGTH AT THE LOAD BEARING SURFACE. EXTRA HEAVY DUTY DUCTILE IRON TRACTOR GRATE IS STANDARD.



OPTIONS

Cat. No.	Pipe Size	Wt. Lbs.	Suffix	Description
<input type="checkbox"/> 1312-PG	2 (50)	45.0	<input type="checkbox"/> 1	SATIN NICKEL BRONZE VENEER TOP
<input type="checkbox"/> 1313-PG	3 (75)	460.	<input type="checkbox"/> 5	VANDAL PROOF (SECURED GRATE)
<input type="checkbox"/> 1314-PG	4 (100)	47.0	<input type="checkbox"/> 7	DOME GRATE (CI ONLY)
			<input type="checkbox"/> 27	SEDIMENT BUCKET
			<input type="checkbox"/> 31	BACKWATER VALVE
			<input type="checkbox"/> 39	GALVANIZED IRON PARTS

OUTLETS

- NH NO-HUB
 TY TY-SEAL
 IC INSIDE CAULK

AutoCad.dwg

Job Name: _____ Job Location: _____ Customer Approval: _____ Approval Date: _____
 Dimensional Data (Inches/mm) are Subject to Manufacturers Tolerance and Change Without Notice. Wade Division / Tyler Pipe Assumes No Responsibility For Superseded or Voided Data