

# WOOD DECK CLEANOUT



Approval Date

Customer Approval

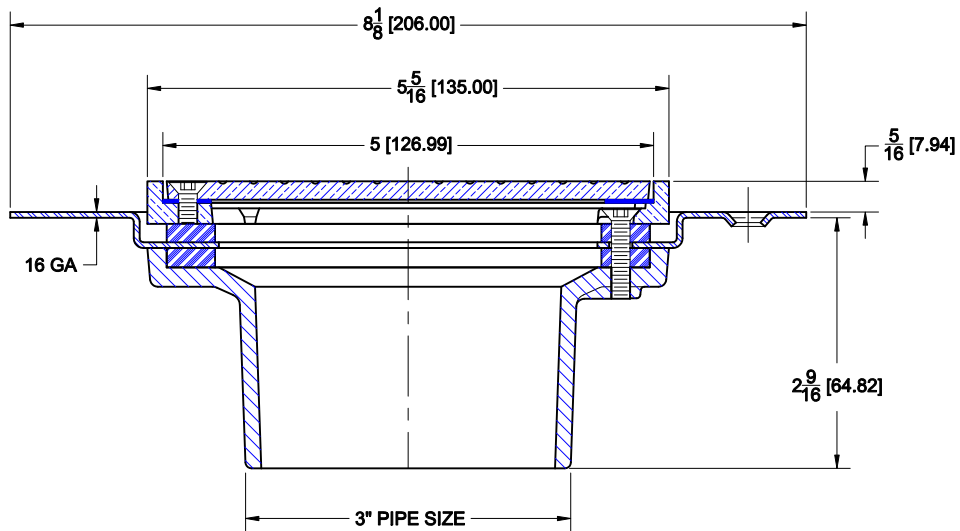
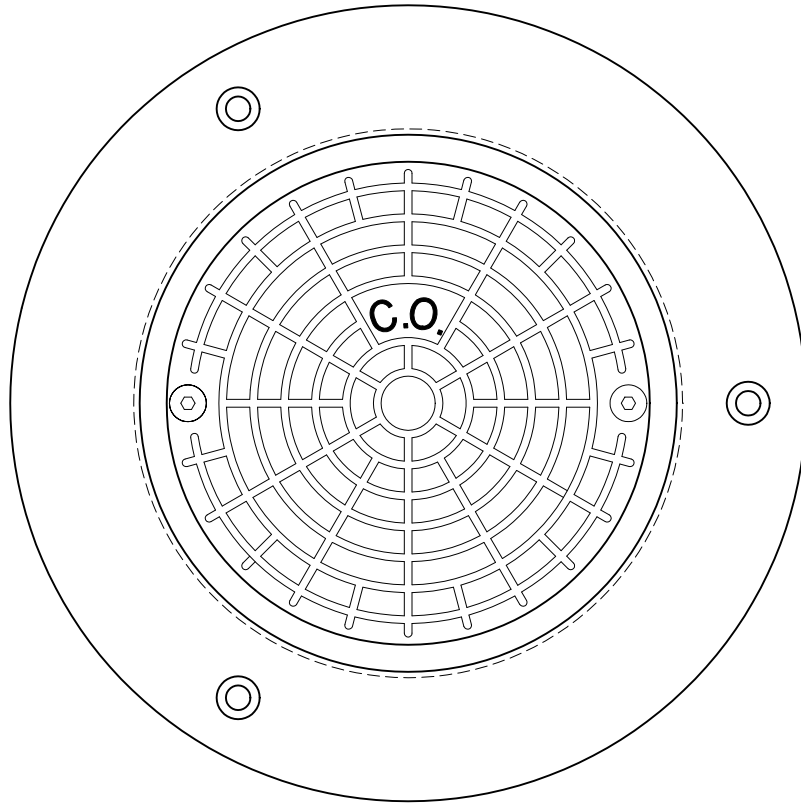
Job Location

Job Name

Wade Division / Tyler Pipe Assumes No Responsibility For Superseded or Voided Data  
Dimensional Data (Inches/mm) are Subject to Manufacturers Tolerance and Change Without Notice.

8200E-DG-1

CAST IRON WOOD DECK CLEANOUT WITH POWDER COATED STEEL ANCHOR FLANGE, DOUBLE NEOPRENE GASKETS, SATIN FINISH NICKEL BRONZE FRAME & COVER, COVER GASKET AND 3" NO-HUB BOTTOM OUTLET.



## OPTIONS

Suffix	Description
39	GALVANIZED IRON PARTS
64	A.R.E. COATED IRON PARTS

AutoCad.dwg