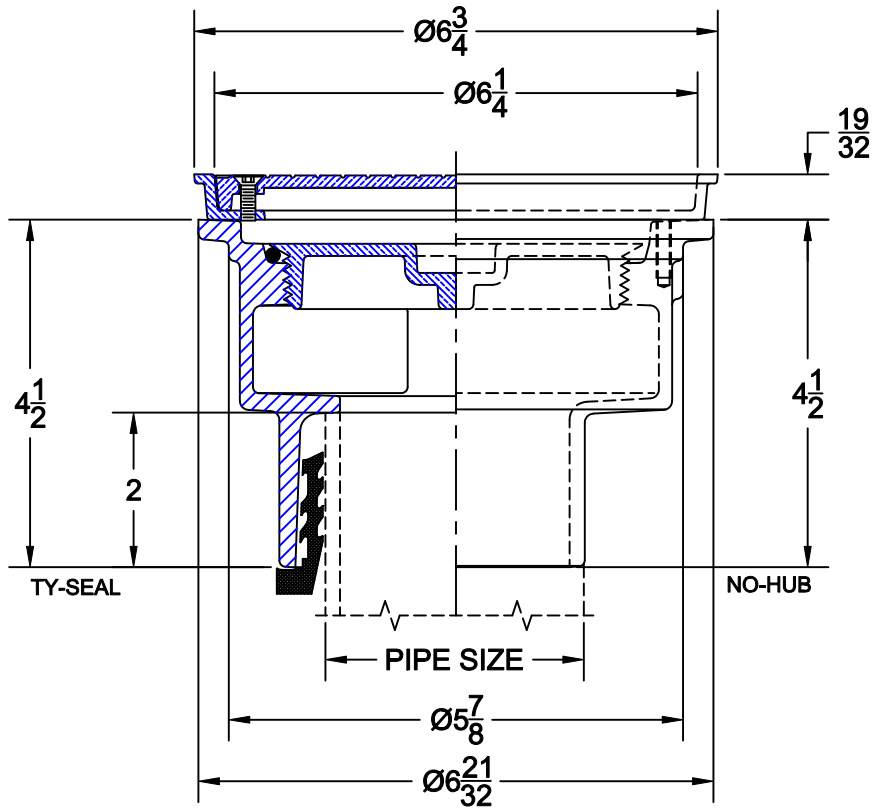
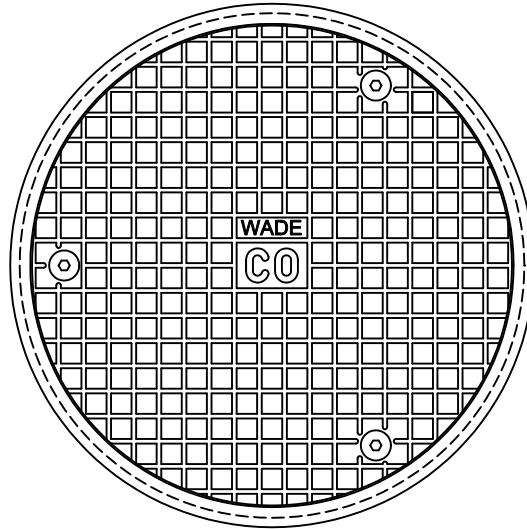


FLOOR CLEANOUT



8200

CAST IRON FLOOR CLEANOUT WITH FLANGE, ROUND SATIN FINISH NICKEL BRONZE FRAME, SCORIATED COVER, PLASTIC GASKETED PLUG AND BOTTOM OUTLET.



OPTIONS

Cat. No.	Pipe Size	Wt. Lbs.	Suffix	Description
<input type="checkbox"/> 8202	2 (50)	5.3	<input type="checkbox"/> 39	GALVANIZED IRON PARTS
<input type="checkbox"/> 8203	3 (75)	8.0	<input type="checkbox"/> 64	A.R.E. COATED IRON PARTS
<input type="checkbox"/> 8204	4 (100)	11.0	<input type="checkbox"/> 118	BRONZE PLUG

OUTLETS

NH NO-HUB TY TY-SEAL

Approval Date
 Customer Approval
 Job Location
 Job Name
 Dimensional Data (Inches/mm) are Subject to Manufacturers Tolerance and Change Without Notice.