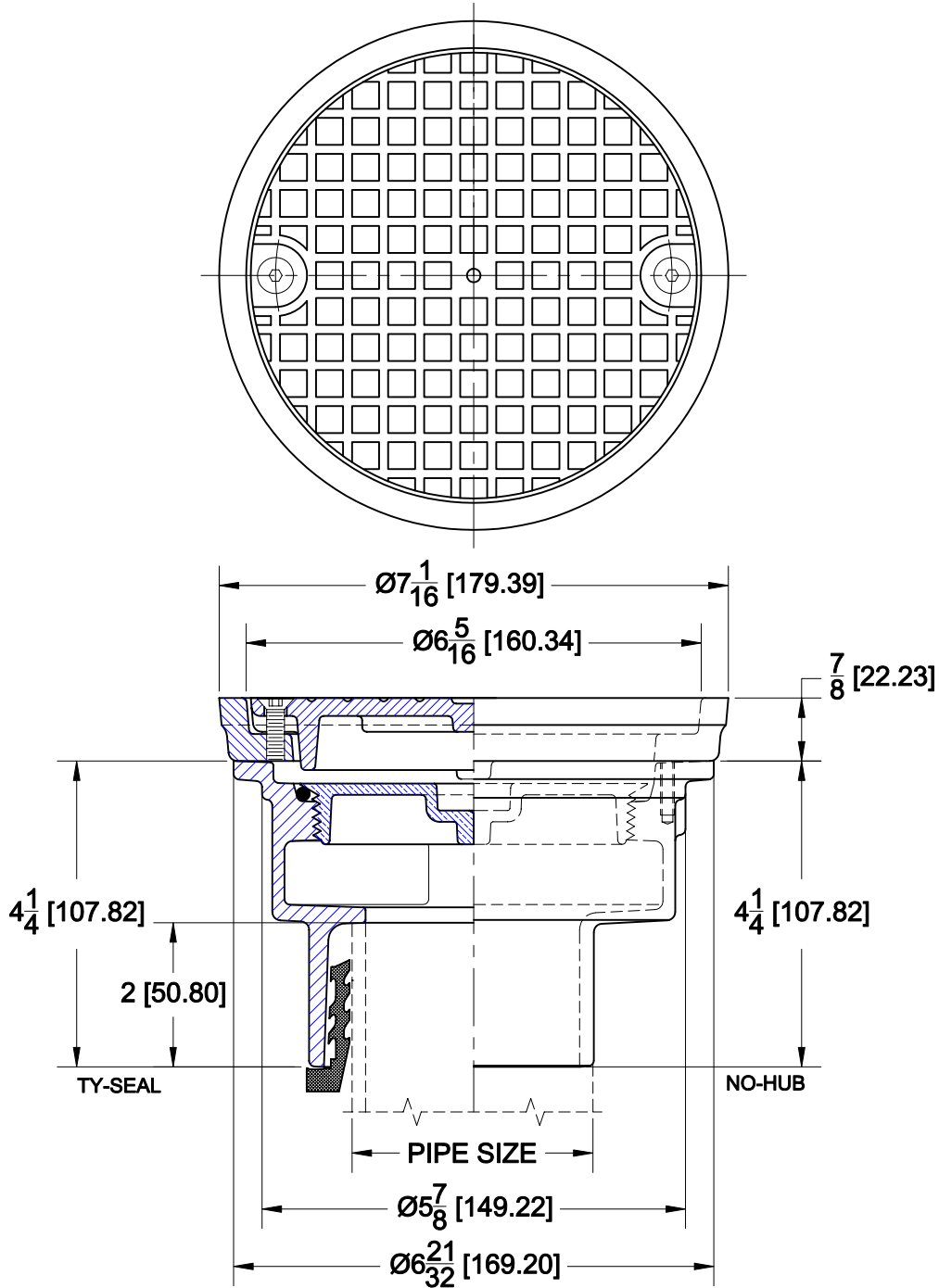


FLOOR CLEANOUT



8200-Z

CAST IRON FLOOR CLEANOUT WITH NON-SKID SECURED DUCTILE IRON TRACTOR COVER, GASKETED PLASTIC PLUG AND BOTTOM OUTLET



OPTIONS

Cat. No.	Pipe Size	Wt. Lbs.	Suffix	Description
<input type="checkbox"/> 8202-Z	2 (50)	8.2	<input type="checkbox"/> 1	NICKEL BRONZE VENEER TOP
<input type="checkbox"/> 8203-Z	3 (75)	8.2	<input type="checkbox"/> 39	GALVANIZED IRON PARTS
<input type="checkbox"/> 8204-Z	4 (100)	8.2	<input type="checkbox"/> 118	BRONZE GASKETED PLUG
			<input type="checkbox"/> CM	CARPET MARKER

OUTLETS

<input type="checkbox"/> TY	TY-SEAL	<input type="checkbox"/> NH	NO-HUB	<input type="checkbox"/>	<input type="checkbox"/>
-----------------------------	---------	-----------------------------	--------	--------------------------	--------------------------

AutoCad.dwg