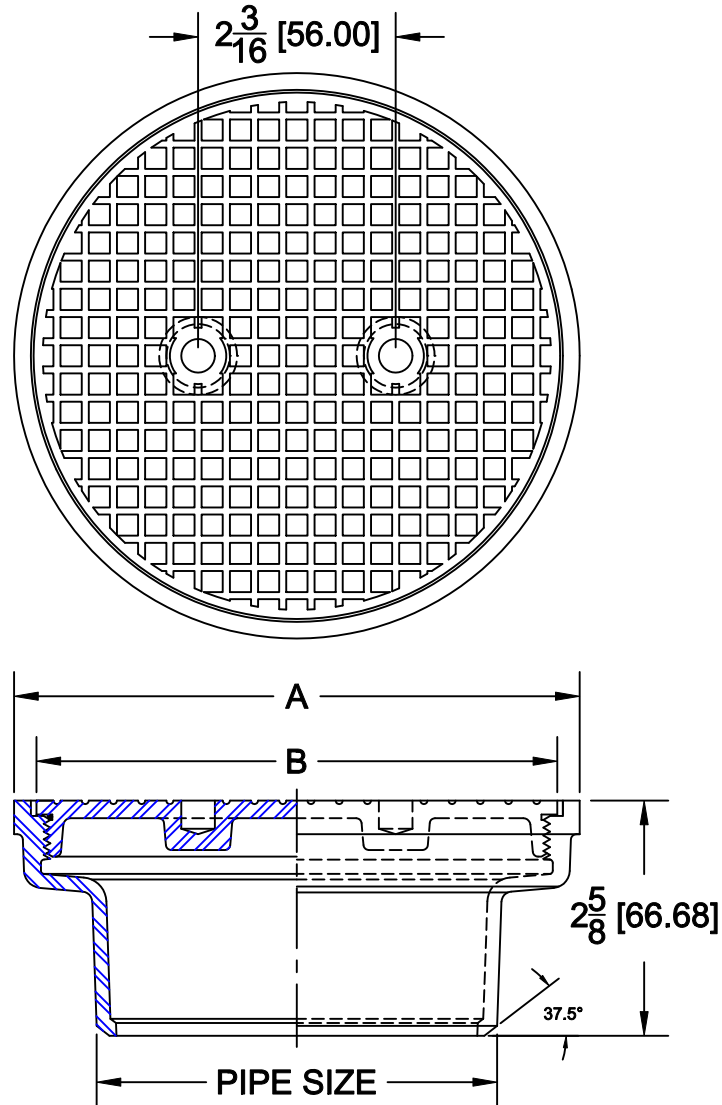


# FLOOR CLEANOUT



8200-SS

STAINLESS STEEL FLOOR CLEANOUT WITH SCORIATED SATIN FINISH SPANNER STYLE COVER, GAS & WATERTIGHT O-RING SEAL AND BUTT WELD / NO-HUB OUTLET.



PIPE SIZE	A IN (MM)	B IN (MM)
2 (50)	4 5/16 (110)	3 15/16 (100)
3 (75)	5 5/16 (135)	4 15/16 (125)
4 (100)	6 5/16 (160)	5 15/16 (151)

Cat. No.	Pipe Size	Wt. Lbs.	OPTIONS	
			Suffix	Description
<input type="checkbox"/> 8202-SS	2 (50)	8.2	<input type="checkbox"/> 72	CARPET MARKER
<input type="checkbox"/> 8203-SS	3 (75)	8.2	<input type="checkbox"/> 78	SPANNER WRENCH
<input type="checkbox"/> 8204-SS	4 (100)	8.2		

AutoCad.dwg