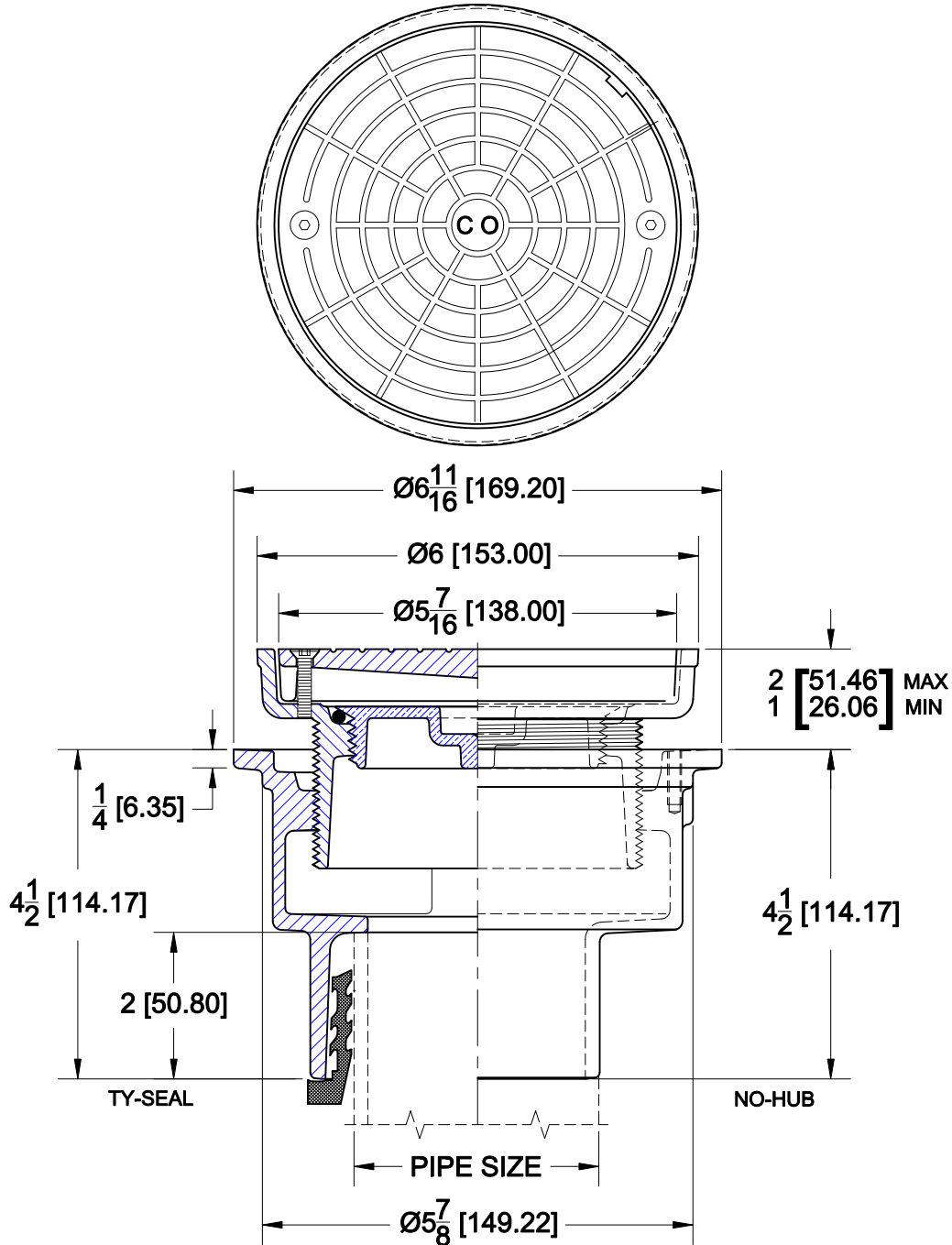


FLOOR CLEANOUT



8100-Z

CAST IRON ADJUSTABLE FLOOR CLEANOUT WITH NON-SKID SECURED CAST IRON TRACTOR COVER, GASKETED PLASTIC PLUG AND BOTTOM OUTLET.



OPTIONS

| Cat. No. | Pipe Size | Wt. Lbs. | Suffix | Description |
|---------------------------------|-----------|----------|------------------------------|-----------------------|
| <input type="checkbox"/> 8102-Z | 2 (50) | 8.2 | <input type="checkbox"/> 39 | GALVANIZED IRON PARTS |
| <input type="checkbox"/> 8103-Z | 3 (75) | 8.2 | <input type="checkbox"/> 118 | BRONZE GASKETED PLUG |
| <input type="checkbox"/> 8104-Z | 4 (100) | 8.2 | <input type="checkbox"/> 179 | SECURITY SCREWS |
| | | | <input type="checkbox"/> CM | CARPET MARKER |

OUTLETS

| | | | | | |
|-----------------------------|---------|-----------------------------|--------|--------------------------|--------------------------|
| <input type="checkbox"/> TY | TY-SEAL | <input type="checkbox"/> NH | NO-HUB | <input type="checkbox"/> | <input type="checkbox"/> |
|-----------------------------|---------|-----------------------------|--------|--------------------------|--------------------------|

AutoCad.dwg