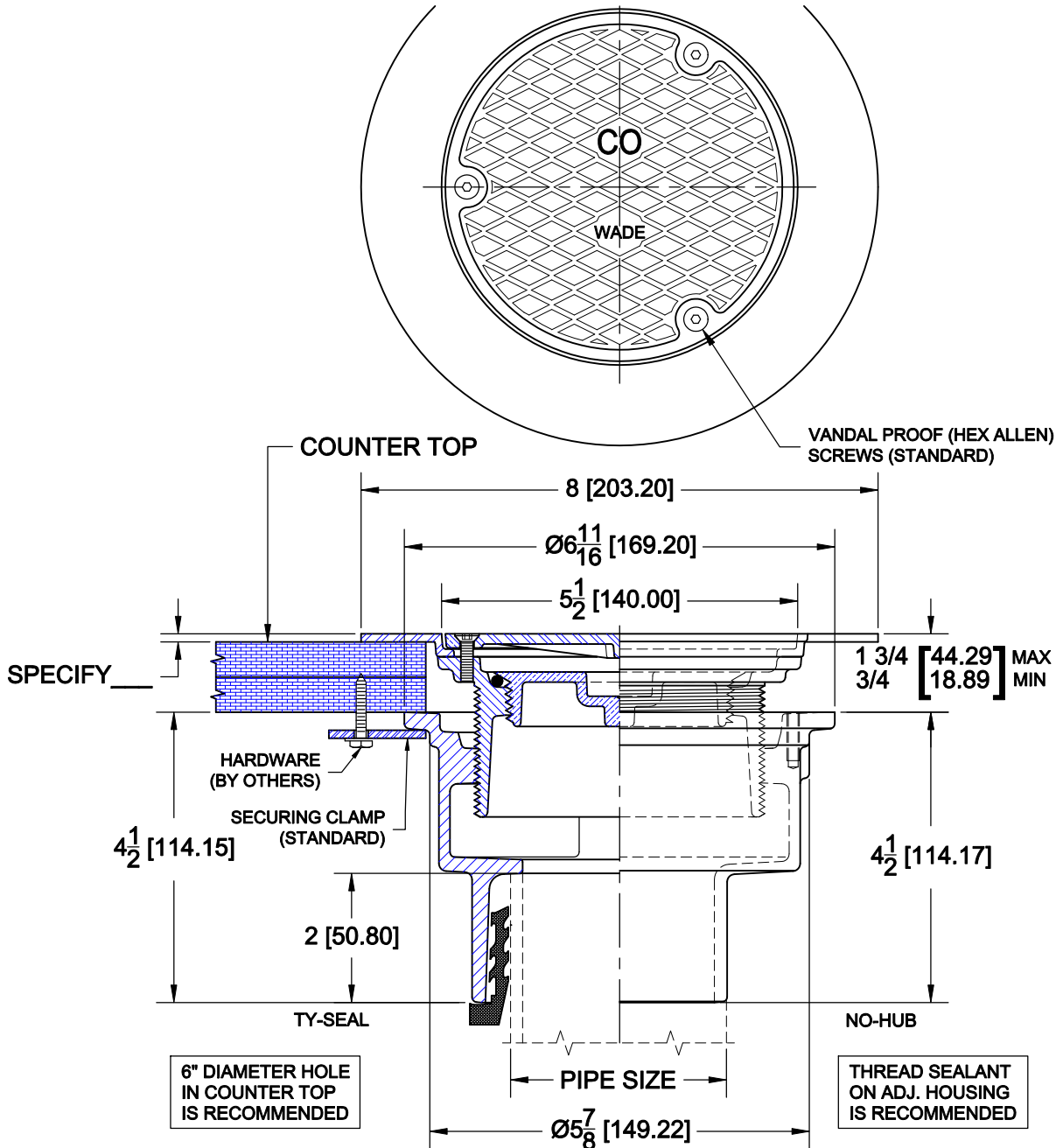


COUNTER TOP CLEANOUT



8100-DX-SS

CAST IRON ADJUSTABLE COUNTER TOP CLEANOUT WITH NON-SKID SECURED SATIN FINISH STAINLESS STEEL COVER, FLANGE, UNDER COUNTER CLAMP, GASKETED PLUG AND BOTTOM OUTLET.



NOTE: FLANGE THICKNESS NORMALLY FURNISHED IN 12 GA. (.1046")
 ALSO AVAILABLE 1/8" 3/16" 14 GA.(.0747")

OPTIONS

Cat. No.	Pipe Size	Wt. Lbs.	Suffix	Description
<input type="checkbox"/> 8102-DX-SS	2 (50)	8.2	<input type="checkbox"/> 39	GALVANIZED IRON PARTS
<input type="checkbox"/> 8103-DX-SS	3 (75)	8.2	<input type="checkbox"/> 118	BRONZE GASKETED PLUG
<input type="checkbox"/> 8104-DX-SS	4 (100)	8.2	<input type="checkbox"/> 179	SECURITY SCREWS

OUTLETS

<input type="checkbox"/> TY	TY-SEAL	<input type="checkbox"/> NH	NO-HUB	<input type="checkbox"/>	<input type="checkbox"/>
-----------------------------	---------	-----------------------------	--------	--------------------------	--------------------------

AutoCad.dwg