

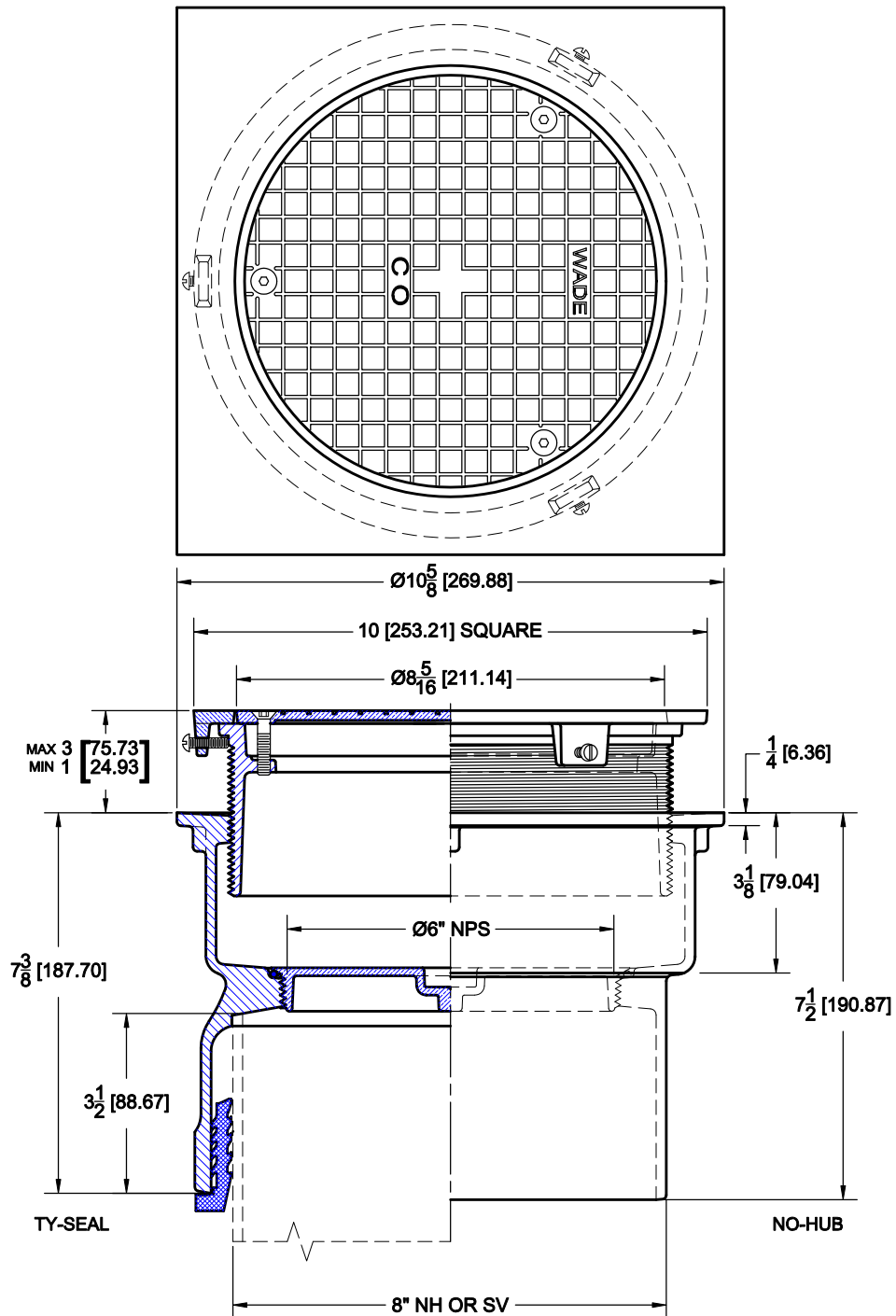
FLOOR CLEANOUT



8008-S

CAST IRON FLOOR CLEANOUT WITH THREADED ADJUSTABLE HOUSING, SATIN FINISH NICKEL BRONZE SCORIATED COVER AND SQUARE FRAME AND BRASS GASKETED PLUG.

ANSI LOAD RATING - LD LIGHT DUTY (UNDER 2,000 LBS.)



OPTIONS

Suffix	Description
4	SQUARE TOP
39	GALVANIZED IRON PARTS
CM	CARPET MARKER

TY TY-SEAL NH NO-HUB

AutoCad.dwg