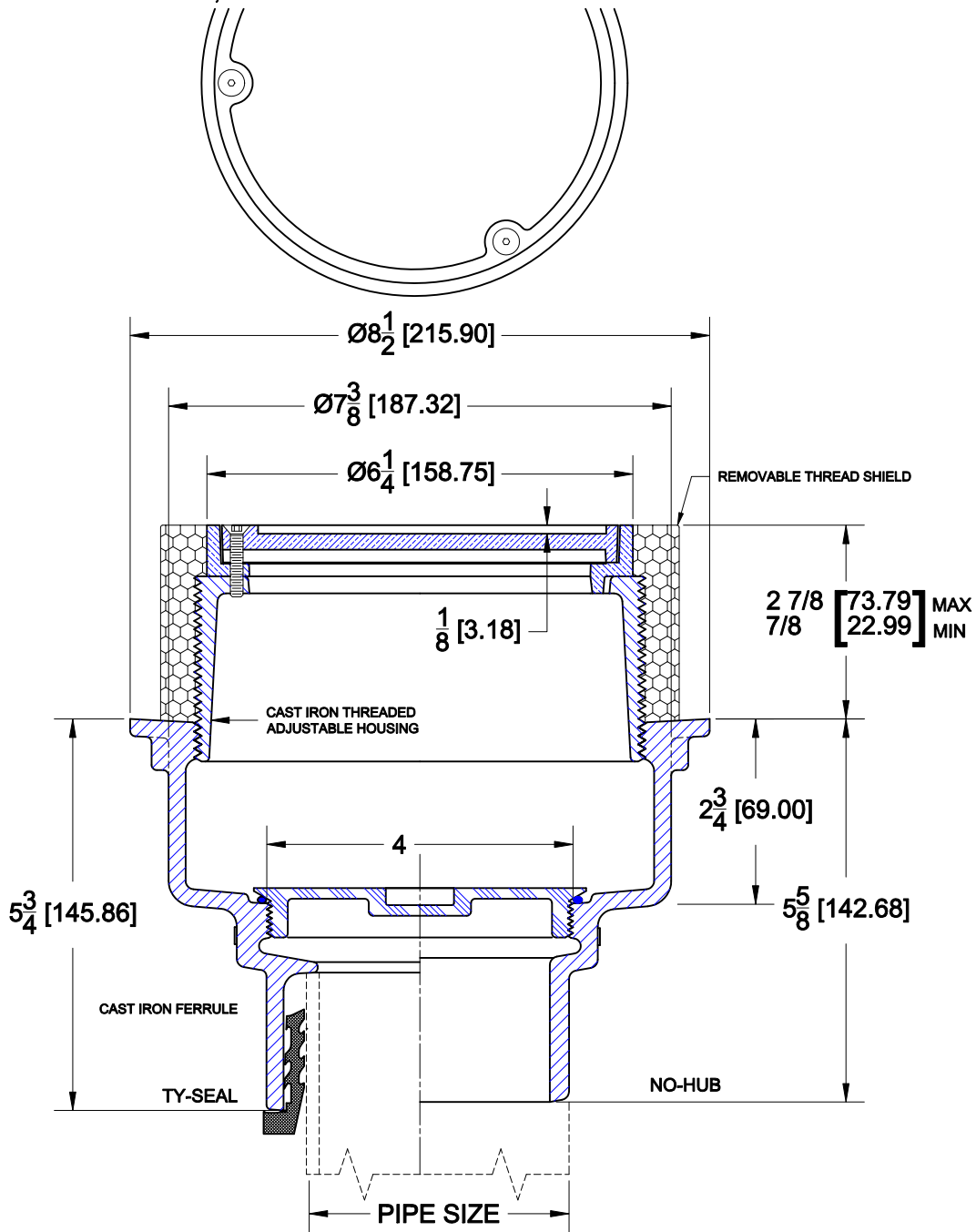


FLOOR CLEANOUT



8000-T

CAST IRON FLOOR CLEANOUT WITH THREADED ADJUSTABLE HOUSING, SATIN FINISH NICKEL BRONZE TOP, COVER RECESSED FOR TILE, REMOVABLE THREAD PROTECTOR AND PLASTIC GASKETED PLUG.



ANSI LOAD RATING - LD LIGHT DUTY (UNDER 2,000 LBS.)

Cat. No.	Pipe Size	Wt. Lbs.	OPTIONS	
			Suffix	Description
<input type="checkbox"/> 8002-T	2 (50)	17.0	<input type="checkbox"/> 39	GALVANIZED IRON PARTS
<input type="checkbox"/> 8003-T	3 (75)	18.0	<input type="checkbox"/> 118	BRONZE PLUG
<input type="checkbox"/> 8004-T	4 (100)	19.0	<input type="checkbox"/> 179	SECURITY SCREWS
<input type="checkbox"/> 8006-T	6 (150)	19.6		

TY TY-SEAL NH NO-HUB

AutoCad.dwg