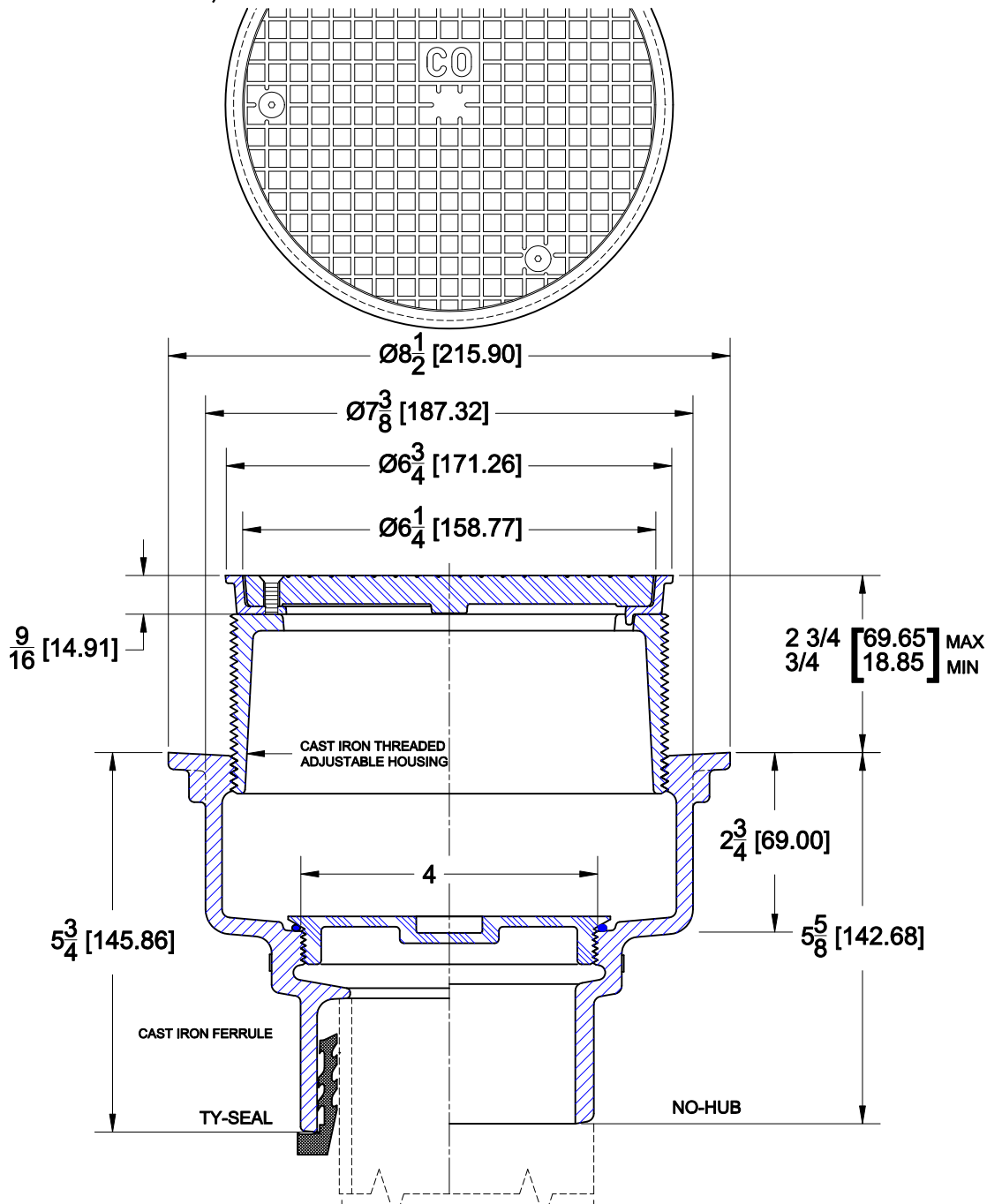


# FLOOR CLEANOUT



## 8000-STD-SS

CAST IRON FLOOR CLEANOUT WITH ADJUSTABLE THREADED HOUSING, SATIN FINISH 304 STAINLESS STEEL TOP, SCORIATED COVER, THREAD PROTECTOR AND PLASTIC GASKETED PLUG.



ANSI LOAD RATING - MD MEDIUM DUTY (2,000-4,999 LBS.)

Cat. No.	Pipe Size	Wt. Lbs.	OPTIONS	
			Suffix	Description
<input type="checkbox"/> 8002-STD-SS	2 (50)	17.0	<input type="checkbox"/> 39	GALVANIZED IRON PARTS
<input type="checkbox"/> 8003-STD-SS	3 (75)	18.0	<input type="checkbox"/> 118	BRONZE GASKETED PLUG
<input type="checkbox"/> 8004-STD-SS	4 (100)	19.0	<input type="checkbox"/> 179	SECURITY SCREWS
<input type="checkbox"/> 8006-STD-SS	6 (150)	19.6		

TY TY-SEAL     NH NO-HUB

AutoCad.dwg