

SINK CARRIER



SHEET 1 OF 3

640

CLINICAL SERVICE SINK CARRIER WITH STEEL UPRIGHTS,
CLOSET COUPLING, SUPPORT HARDWARE,
NEOPRENE BOWL GASKET & FINISH TRIM.

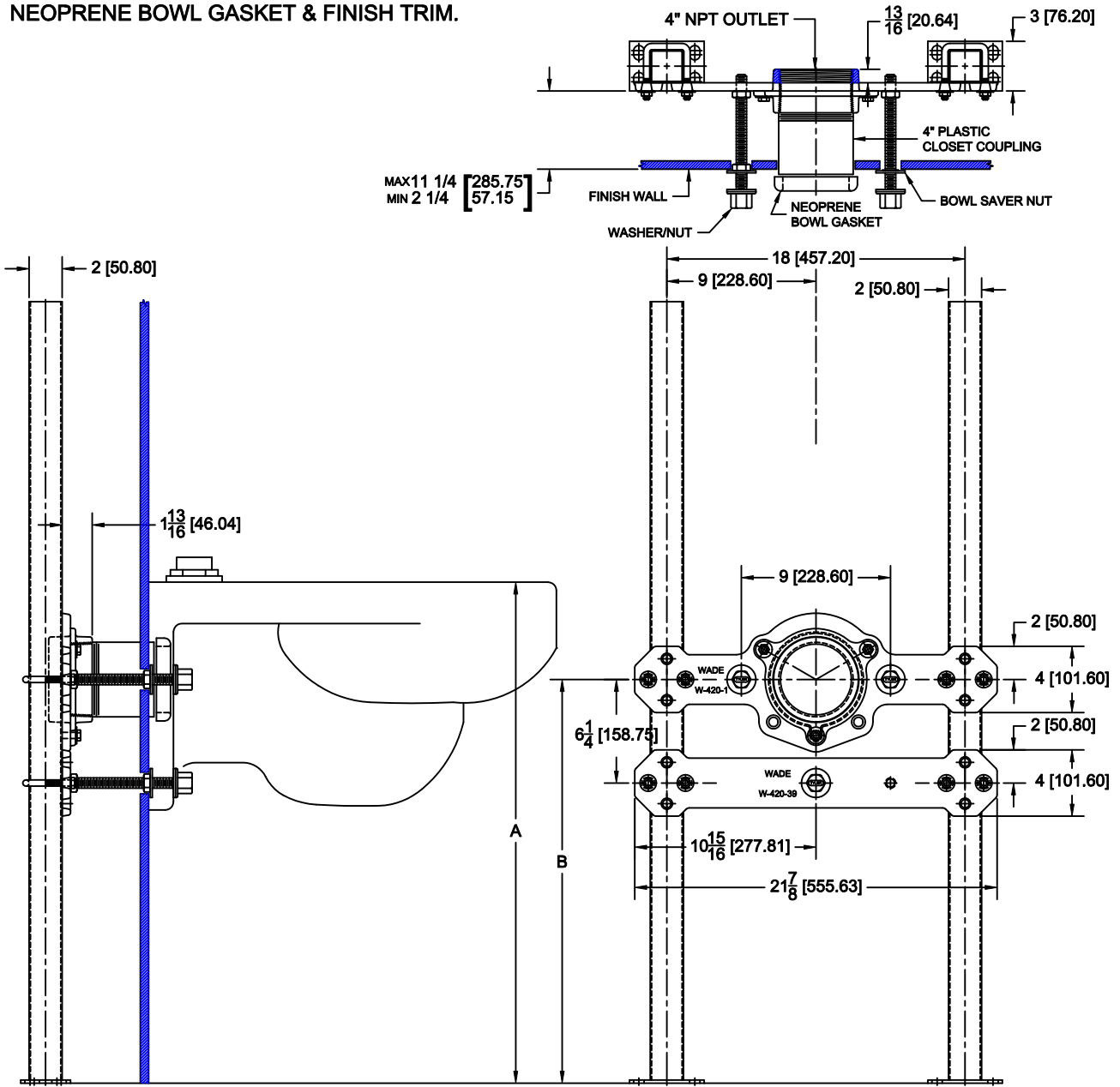
Approval
Date

Customer
Approval

Job
Location

Job
Name

Dimensional Data (Inches/mm) are Subject to Manufacturers Tolerance and Change Without Notice. Wade Division / Tyler Pipe Assumes No Responsibility For Superseded or Voided Data



NOTE: LETTER DIMENSIONS VARY ACCORDING TO FIXTURE SPECIFIED.

FIXTURE

Manufacturer _____

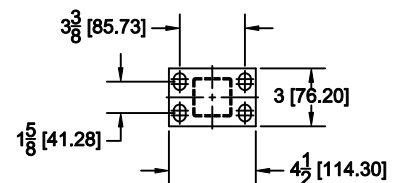
Name _____ No. _____

Style _____

Cat. No. Type Wt. Lbs.

640 SINGLE 45.0

SEE SHEETS 2 & 3 FOR OPTIONAL FITTINGS



AutoCad.dwg

SINK CARRIER



SHEET 2 OF 3

640

CLINICAL SERVICE SINK CARRIER WITH STEEL UPRIGHTS,
CLOSET COUPLING, SUPPORT HARDWARE,
NEOPRENE BOWL GASKET & FINISH TRIM.

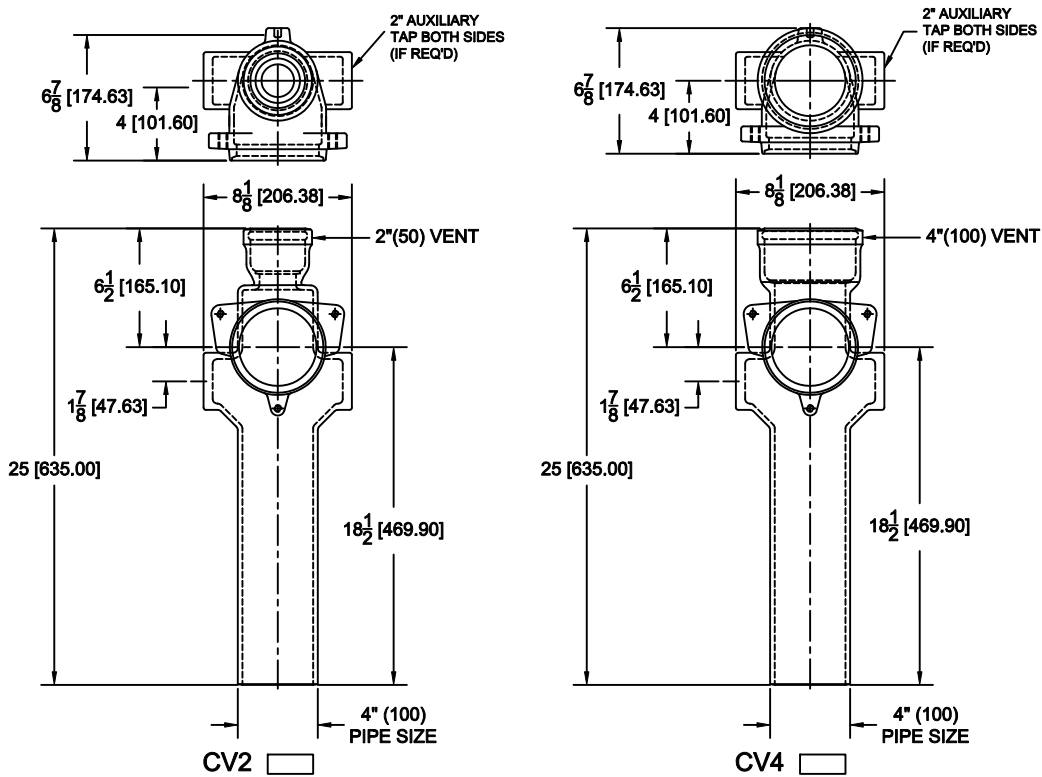
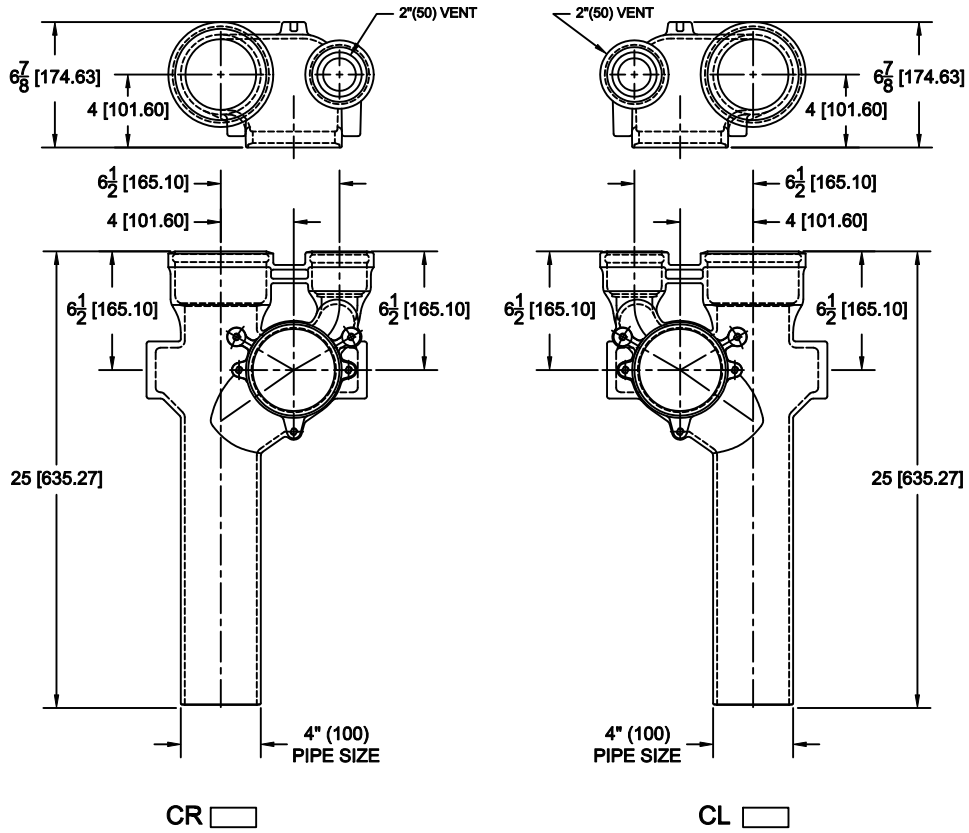
Approval
Date

Customer
Approval

Job
Location

Job
Name

Wade Division / Tyler Pipe Assumes No Responsibility For Superseded or Voided Data
Dimensional Data (Inches/mm) are Subject to Manufacturers Tolerance and Change Without Notice.



AutoCad.dwg

SINK CARRIER



SHEET 3 OF 3

640

CLINICAL SERVICE SINK CARRIER WITH STEEL UPRIGHTS,
CLOSET COUPLING, SUPPORT HARDWARE,
NEOPRENE BOWL GASKET & FINISH TRIM.

Approval Date

Customer Approval

Job Location

Job Name

Wade Division / Tyler Pipe Assumes No Responsibility For Superseded or Voided Data
Dimensional Data (Inches/mm) are Subject to Manufacturers Tolerance and Change Without Notice.

