

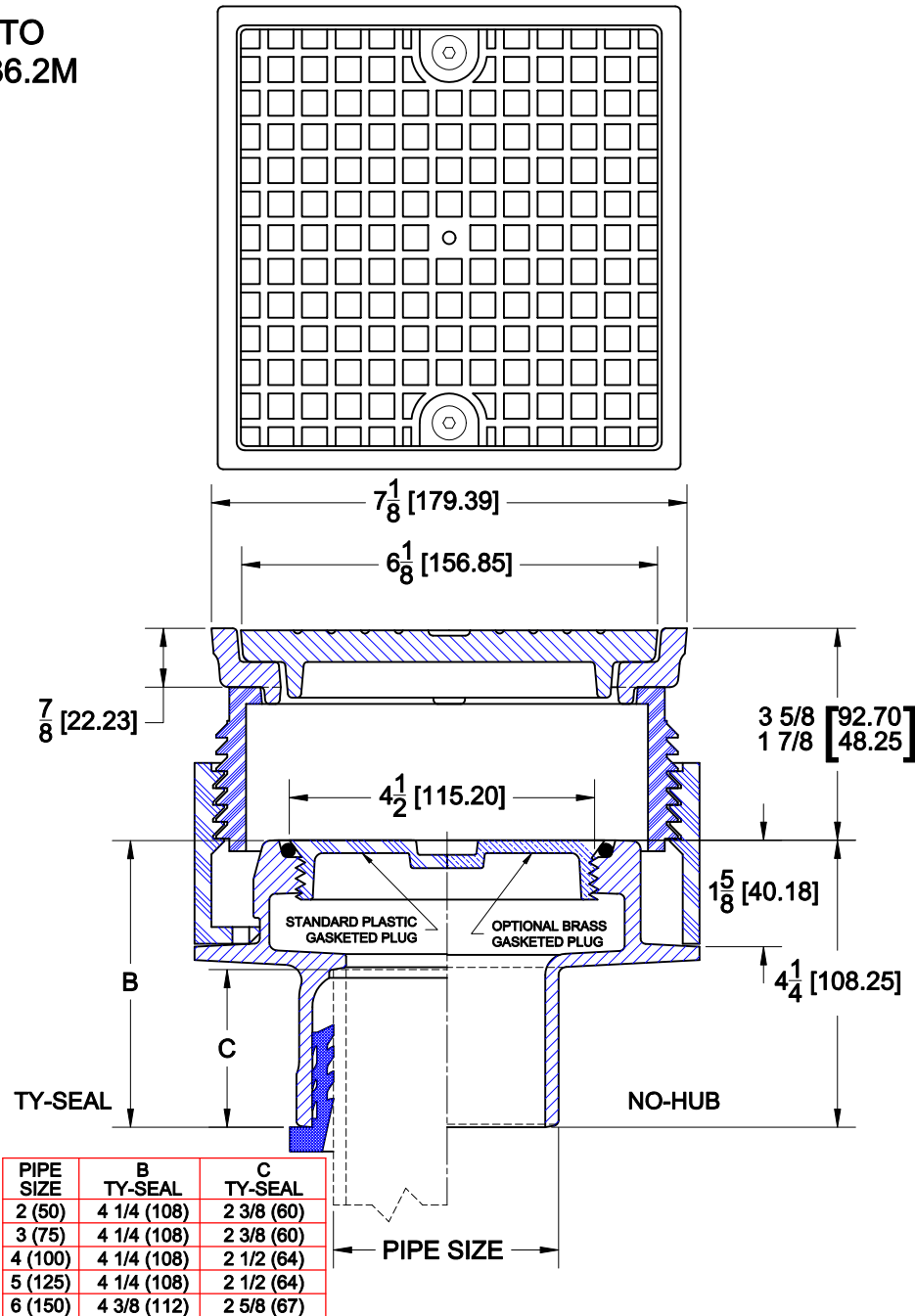
FLOOR CLEANOUT



6000-ZS

CAST IRON FLOOR CLEANOUT WITH ADJUSTABLE ABS PLASTIC HOUSINGS, CAST IRON SQUARE TOP FRAME, DUCTILE IRON TRACTOR STYLE SCORIATED COVER, PLASTIC GASKETED PLUG AND BOTTOM OUTLET.

CONFORMS TO
ASME A112.36.2M



OPTIONS

Cat. No.	Pipe Size	Wt. Lbs.	Suffix	Description
<input type="checkbox"/> 6002-ZS	2 (50)	16.0	<input type="checkbox"/> 39	GALVANIZED IRON PARTS
<input type="checkbox"/> 6003-ZS	3 (75)	17.0	<input type="checkbox"/> 75	BRONZE GASKETED PLUG
<input type="checkbox"/> 6004-ZS	4 (100)	18.0		
<input type="checkbox"/> 6005-ZS	5 (125)	19.0		
<input type="checkbox"/> 6006-ZS	6 (150)	21.0		

OUTLETS

TY TY-SEAL NH NO-HUB IC INSIDE CAULK

AutoCad.dwg