

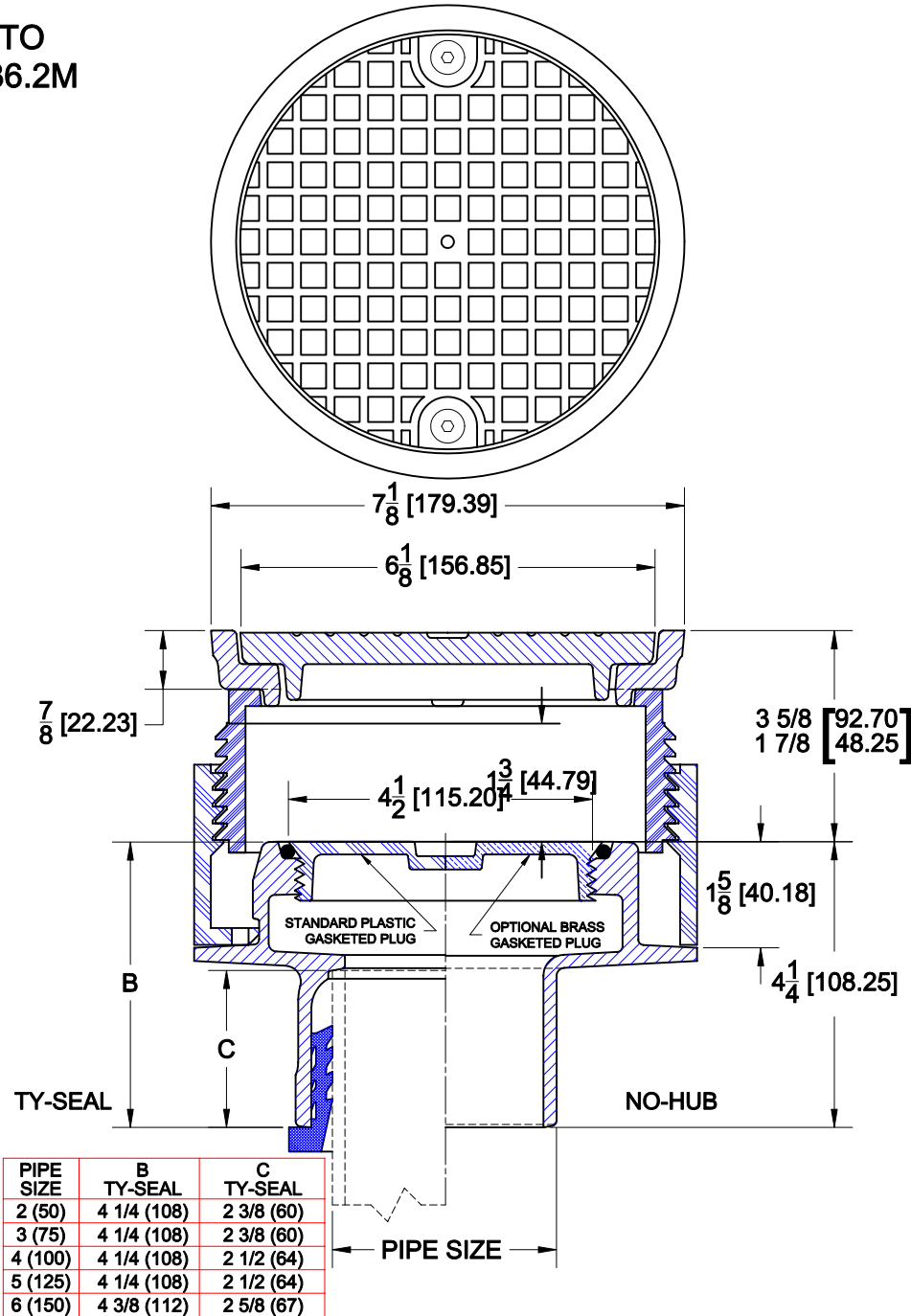
Floor Cleanout



6000-Z

Cast iron floor cleanout with adjustable housing, cast iron frame and scoriated ductile iron tractor cover, and gasketed plastic plug.

CONFORMS TO
ASME A112.36.2M



OPTIONS

Cat. No.	Pipe Size	Wt. Lbs.	Suffix	Description
<input type="checkbox"/> 6002-Z	2 (50)	16.0	<input type="checkbox"/> 1	Satin Finish Nickel Bronze Veneer Top
<input type="checkbox"/> 6003-Z	3 (75)	17.0	<input type="checkbox"/> 5	Vandal Proof (Secured) Top
<input type="checkbox"/> 6004-Z	4 (100)	18.0	<input type="checkbox"/> 39	Galvanized Iron Parts
<input type="checkbox"/> 6005-Z	5 (125)	19.0	<input type="checkbox"/> 75	Bronze Taper Plug
<input type="checkbox"/> 6006-Z	6 (150)	21.0	<input type="checkbox"/> 118	Bronze Gasketed Plug

OUTLETS

<input type="checkbox"/> TY	<input type="checkbox"/> TY-SEAL	<input type="checkbox"/> NH	<input type="checkbox"/> NO-HUB	<input type="checkbox"/> IC	<input type="checkbox"/> INSIDE CAULK	<input type="checkbox"/>
-----------------------------	----------------------------------	-----------------------------	---------------------------------	-----------------------------	---------------------------------------	--------------------------

AutoCad.dwg