

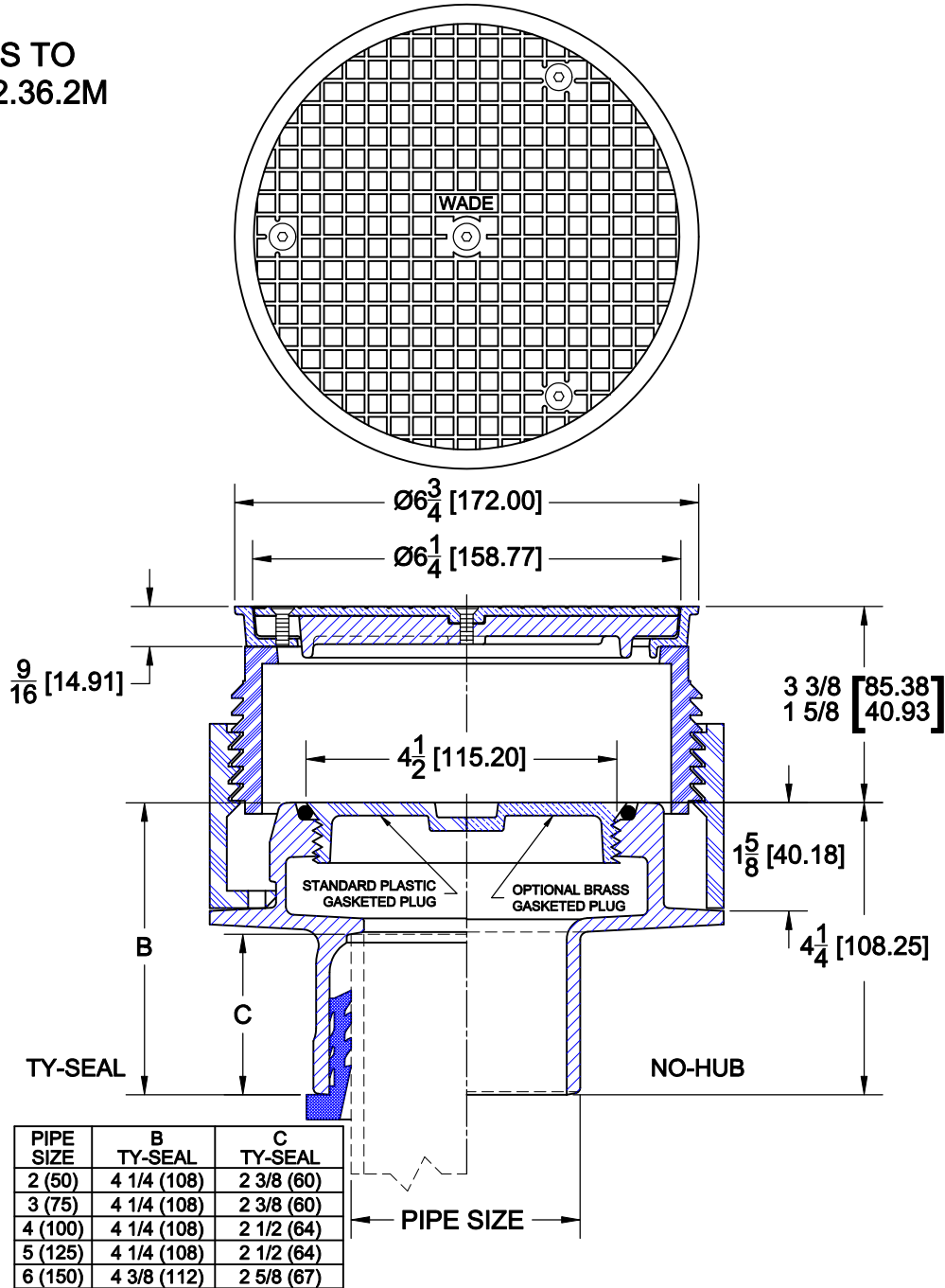
FLOOR CLEANOUT



6000-Z-1

CAST IRON FLOOR CLEANOUT WITH ADJUSTABLE HOUSING, DUCTILE IRON COVER, SATIN NICKEL BRONZE SCORIATED VENEER COVER, PLASTIC GASKETED PLUG & BOTTOM OUTLET

CONFORMS TO
ASME A112.36.2M



OPTIONS

Cat. No.	Pipe Size	Wt. Lbs.	Suffix	Description
<input type="checkbox"/> 6002-Z-1	2 (50)	16.0	<input type="checkbox"/> 6IP	PUSH ON GASKET - SCH.40 PLASTIC PIPE
<input type="checkbox"/> 6003-Z-1	3 (75)	17.0	<input type="checkbox"/> 39	GALVANIZED IRN PARTS
<input type="checkbox"/> 6004-Z-1	4 (100)	18.0	<input type="checkbox"/> 118	BRONZE GASKETED PLUG
<input type="checkbox"/> 6005-Z-1	5 (125)	19.0	<input type="checkbox"/> 179	SECURITY SCREWS
<input type="checkbox"/> 6006-Z-1	6 (150)	21.0		

OUTLETS

<input type="checkbox"/> TY	TY-SEAL	<input type="checkbox"/> NH	NO-HUB	<input type="checkbox"/> IC	INSIDE CAULK	<input type="checkbox"/>
-----------------------------	---------	-----------------------------	--------	-----------------------------	--------------	--------------------------

AutoCad.dwg