

# HAIR INTERCEPTOR



5750

PAINTED CAST IRON HAIR INTERCEPTOR WITH 1-1/2" THREADED SIDE  
OUTLET, BRASS CHROME PLATED TUBE ELBOW W/ 1-1/2" SLIP JOINT  
CONNECTION, BRASS FLANGED PLUG AND S/S PERFORATED BASKET.

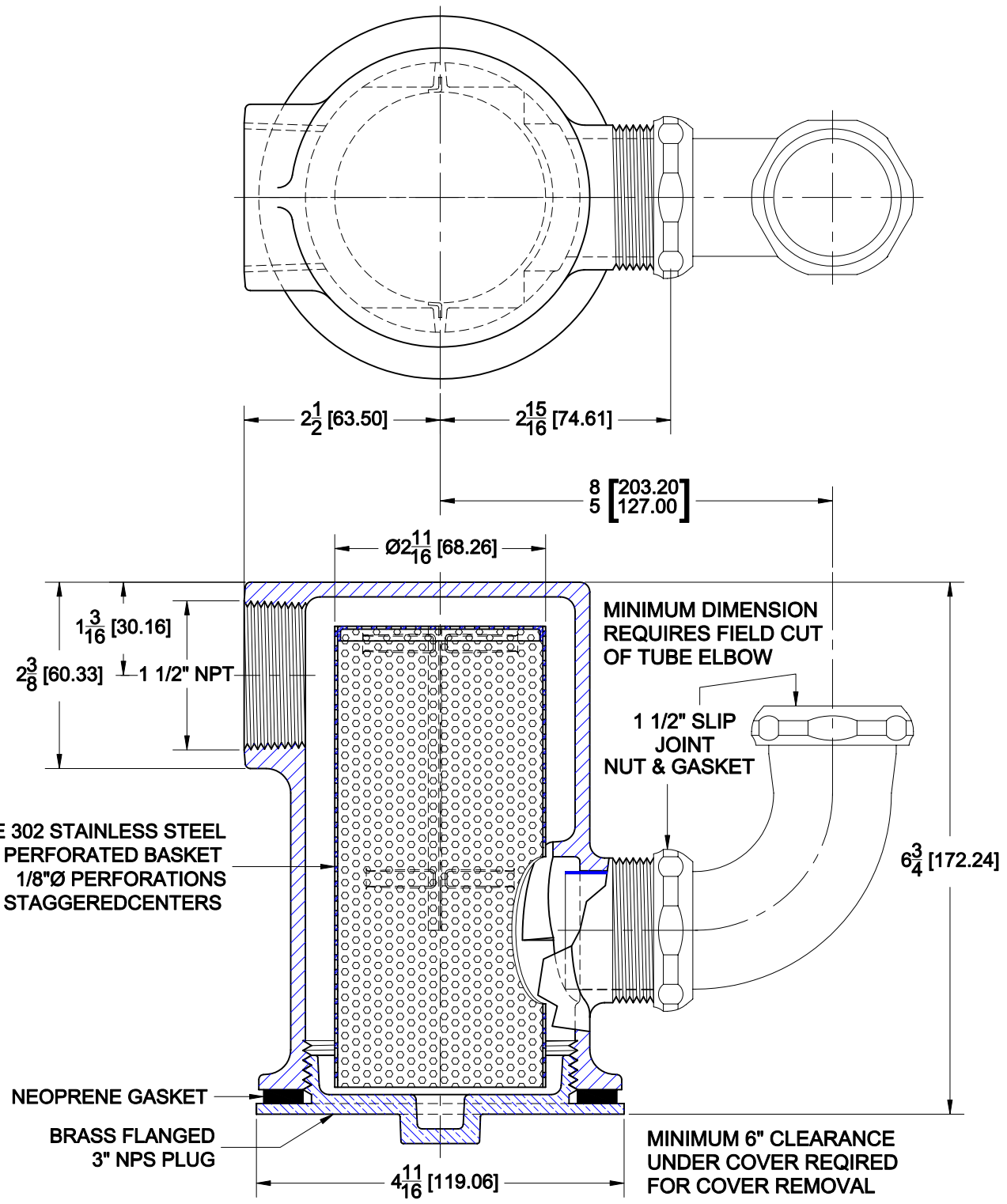
Approval  
Date

Customer  
Approval

Job  
Location

Job  
Name

Wade Division / Tyler Pipe Assumes No Responsibility For Superseded or Voided Data  
Dimensional Data (Inches/mm) are Subject to Manufacturers Tolerance and Change Without Notice.



**OPTIONS**

Suffix	Description
43	SATIN FINISH NICKEL BRONZE BODY
102	POLISHED CHROME PLATED FINISH

AutoCad.dwg