

SOLIDS INTERCEPTOR

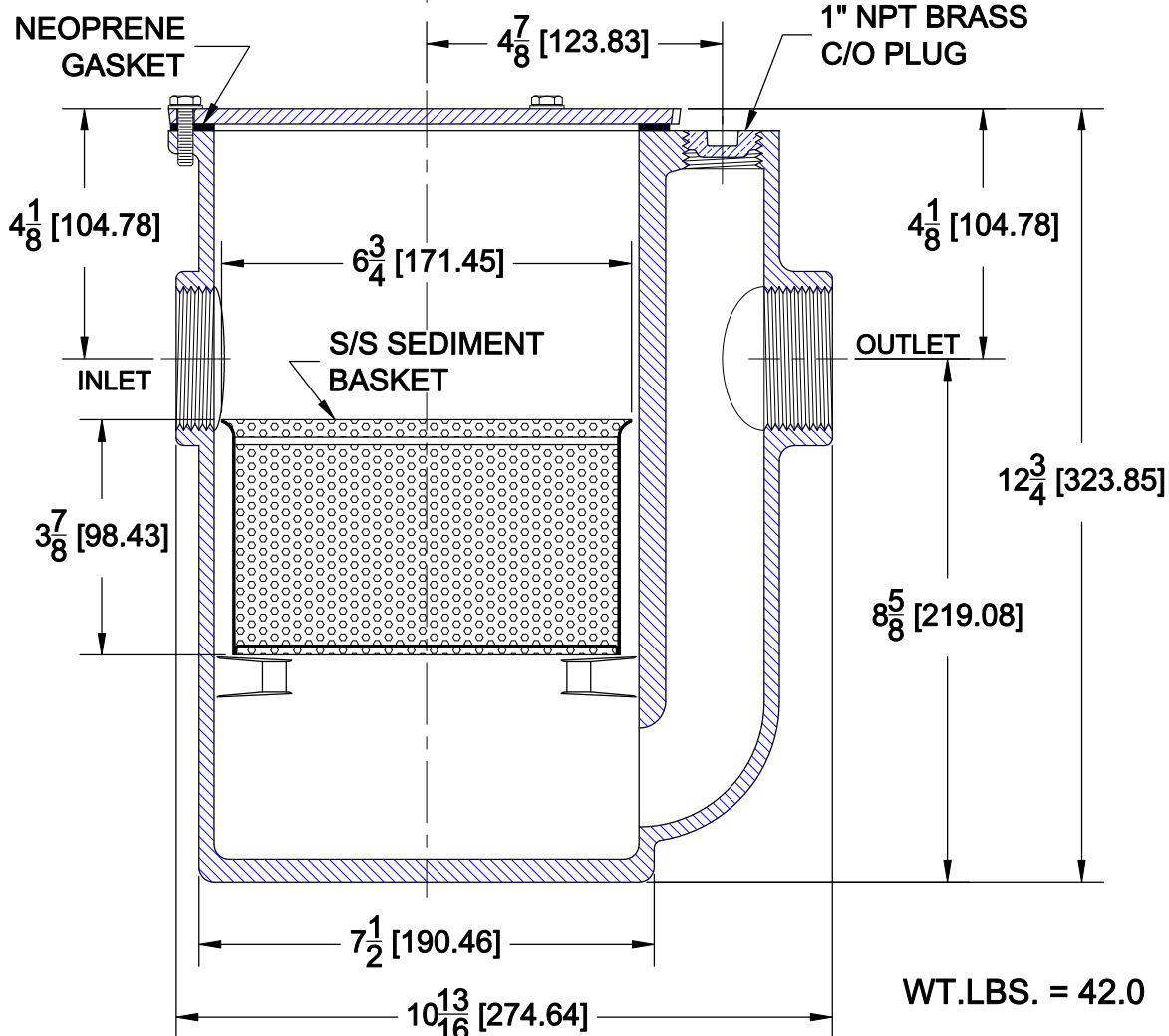
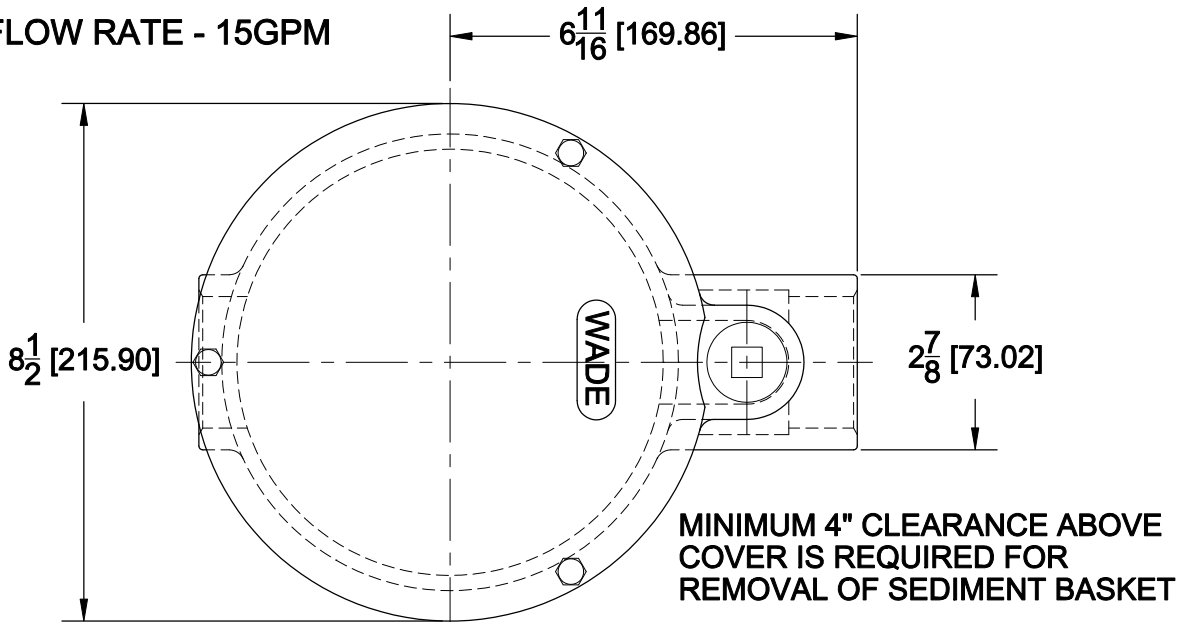


Approval Date
Customer Approval
Job Location
Job Name

5740

PAINTED CAST IRON SOLIDS INTERCEPTOR WITH NEOPRENE GASKET, BOLTED CI COVER, 2" THREADED INLET/OUTLET, INTEGRAL TRAP AND STAINLESS STEEL PERFORATED SEDIMENT BASKET.
SEDIMENT BASKET - 22 GA TYPE 302 S/S - 1/16" DIA PERFORATIONS ON 3/16" STAGGERED CENTERS.

FLOW RATE - 15GPM



WT.LBS. = 42.0

AutoCad.dwg