

# SOILS INTERCEPTOR



5740-SS

FABRICATED TYPE 304 STAINLESS STEEL SOLIDS INTERCEPTOR WITH INTEGRAL TRAP, STAINLESS STEEL PERFORATED SEDIMENT BASKET & 2" IPS THREADED INLET AND IPS OUTLET.

Approval Date

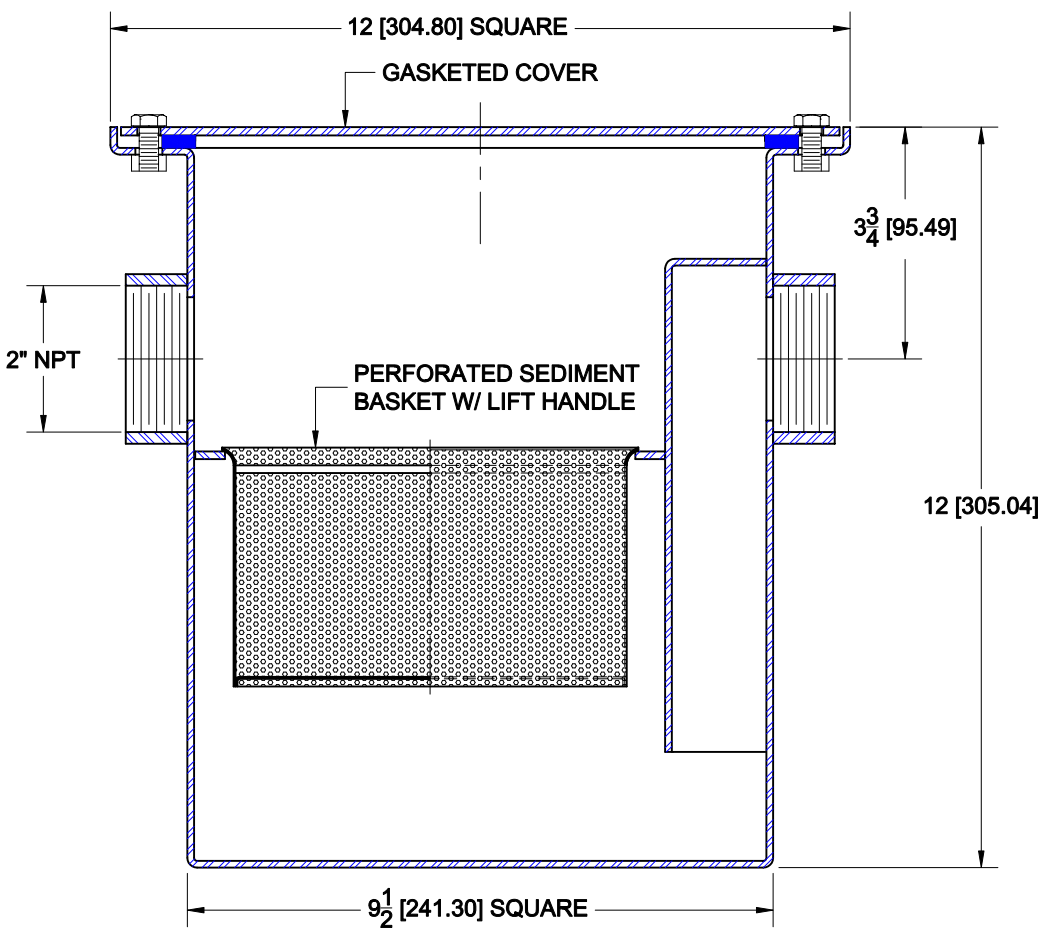
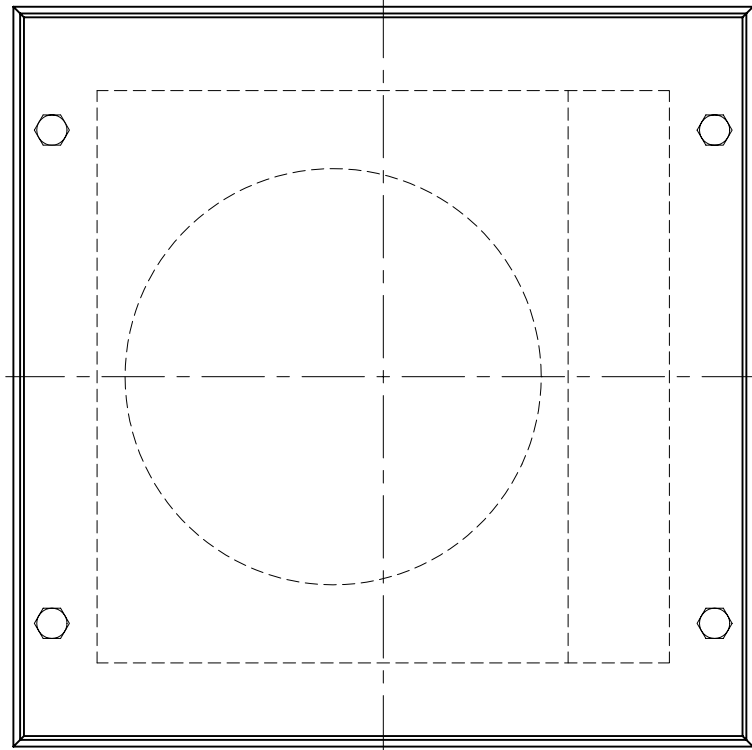
Customer Approval

Wade Division / Tyler Pipe Assumes No Responsibility For Superseded or Voided Data

Job Location

Dimensional Data (Inches/mm) are Subject to Manufacturers Tolerance and Change Without Notice.

Job Name



AutoCad.dwg