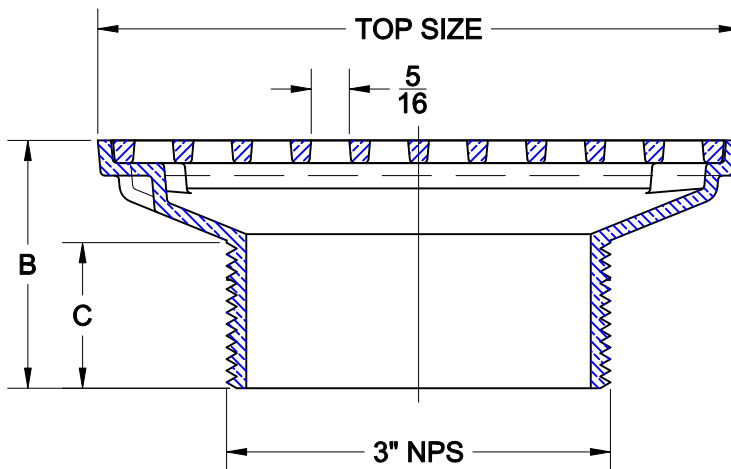
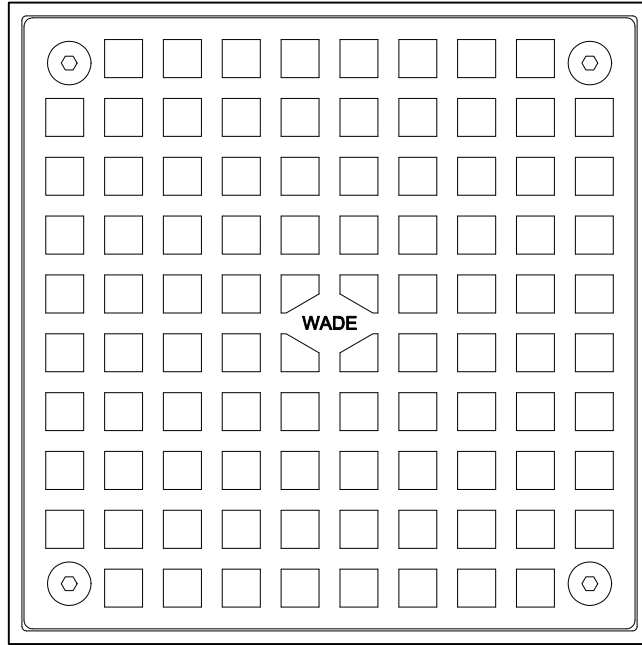


G

SATIN FINISH BRONZE ADJUSTABLE STRAINER WITH SQUARE HOLE GRATE, AND 3" NPSM THREADED SHANK



✓	CATALOG NUMBER	TOP SIZE (SQUARE)	A (SQUARE)	B	C	WT (LBS)	FREE AREA (SQ.IN.)
	G4	4	3-1/2	2	1	3.0	5.4
	G5	4-15/16	4-5/8	2	1	3.2	6.9
	G6	5-3/4	5-1/2	2-1/4	1	5.5	11.1
	G8	7-13/16	7-7/16	2	1	7.0	16.0